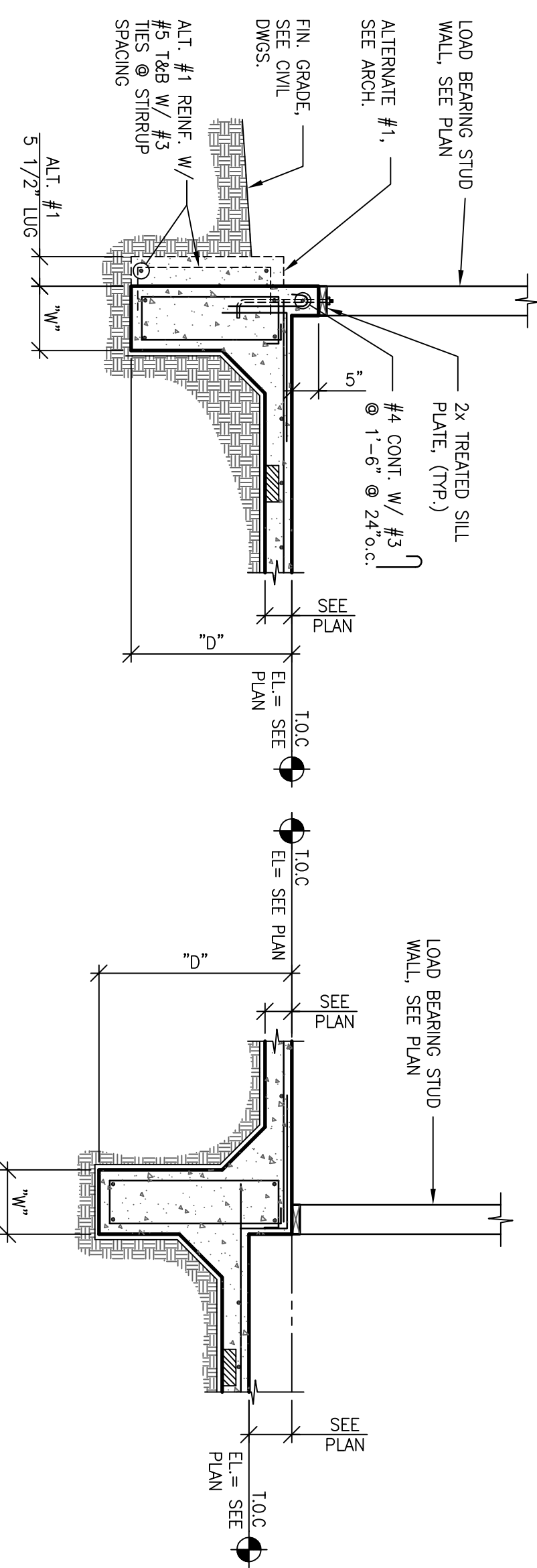
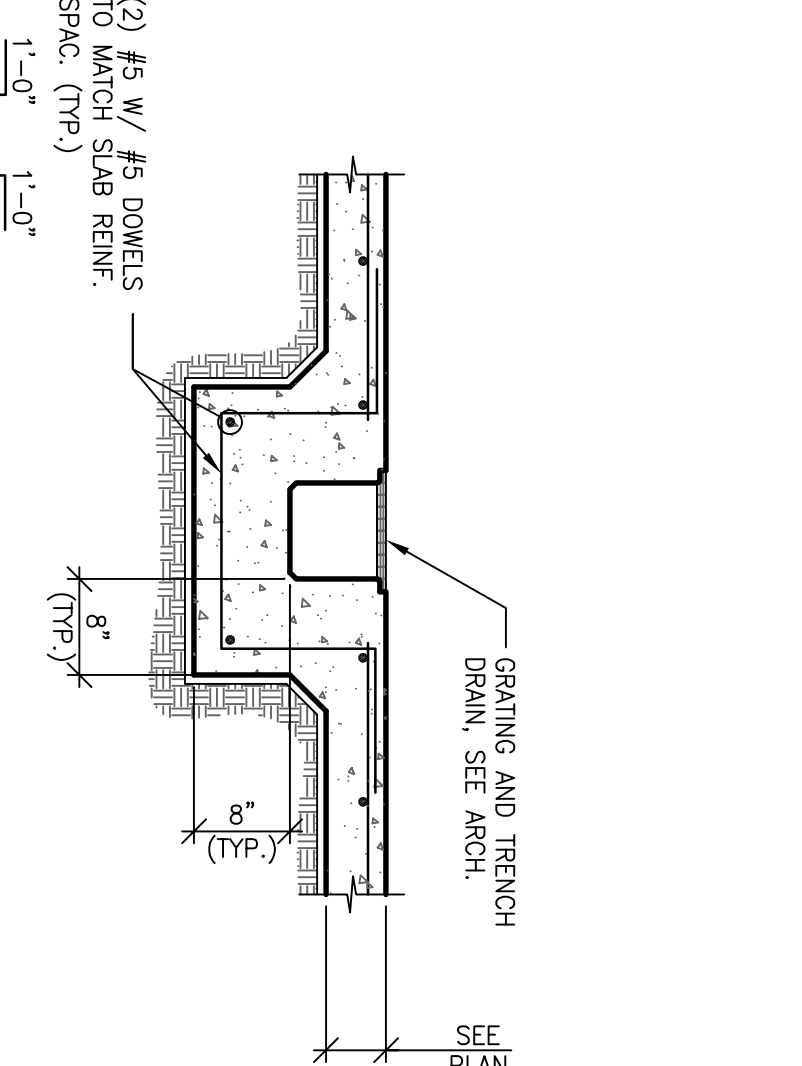


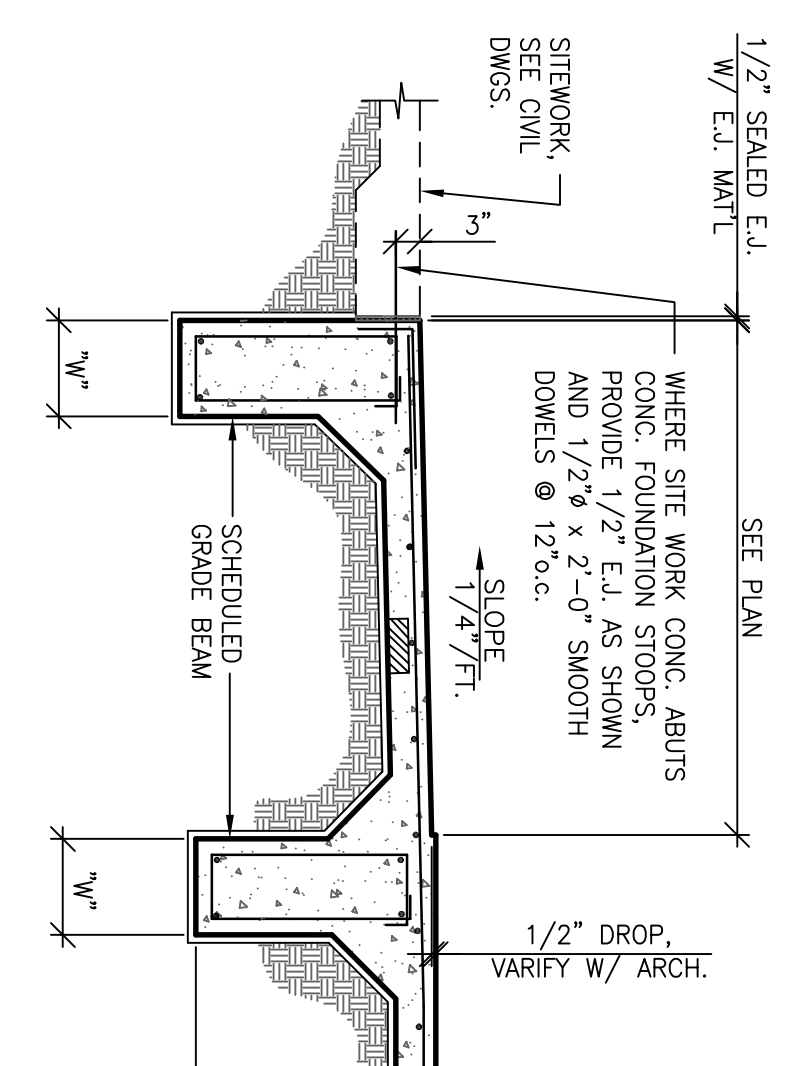
**1 TYP. EXTERIOR BEAM SECTION**  
SCALE : 1/2" = 1'-0"



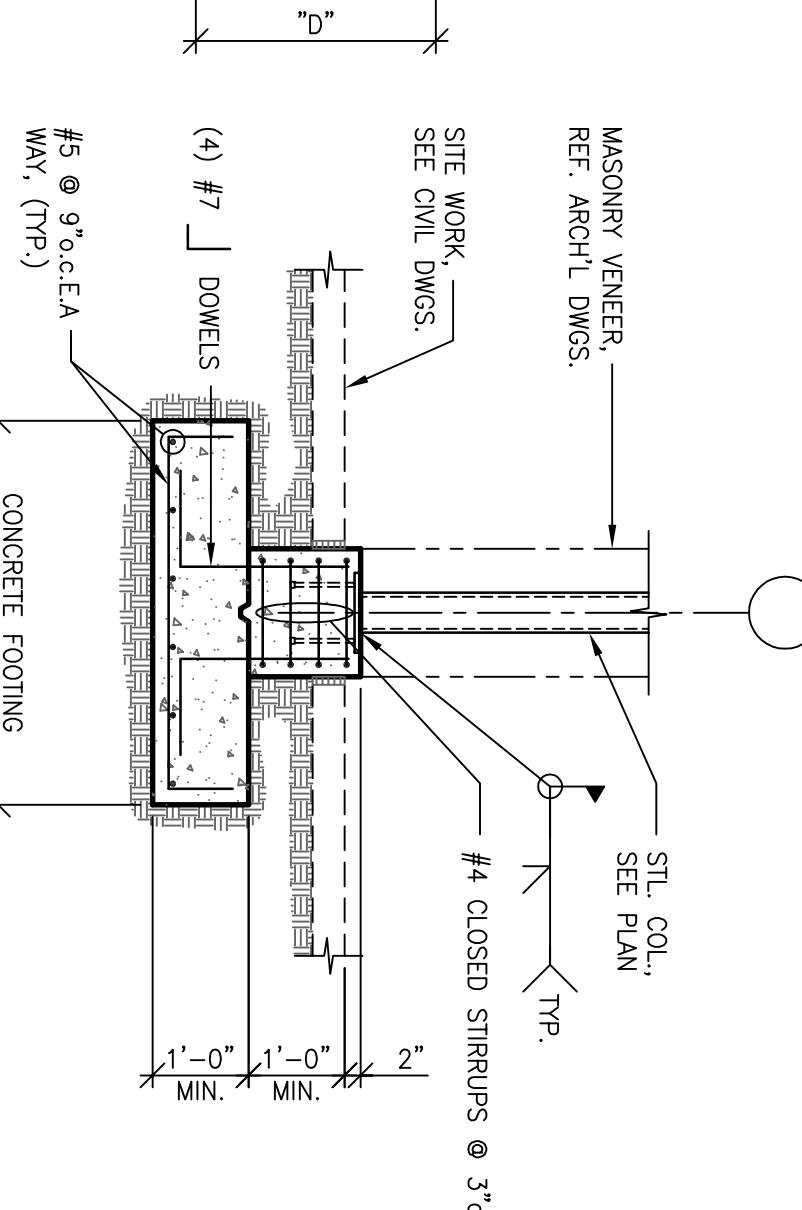
**2 SECTION**  
SCALE : 1/2" = 1'-0"



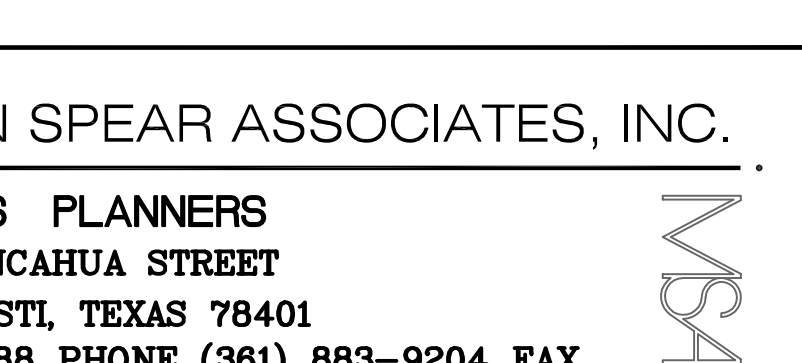
**3 SECTION**  
SCALE : 1/2" = 1'-0"



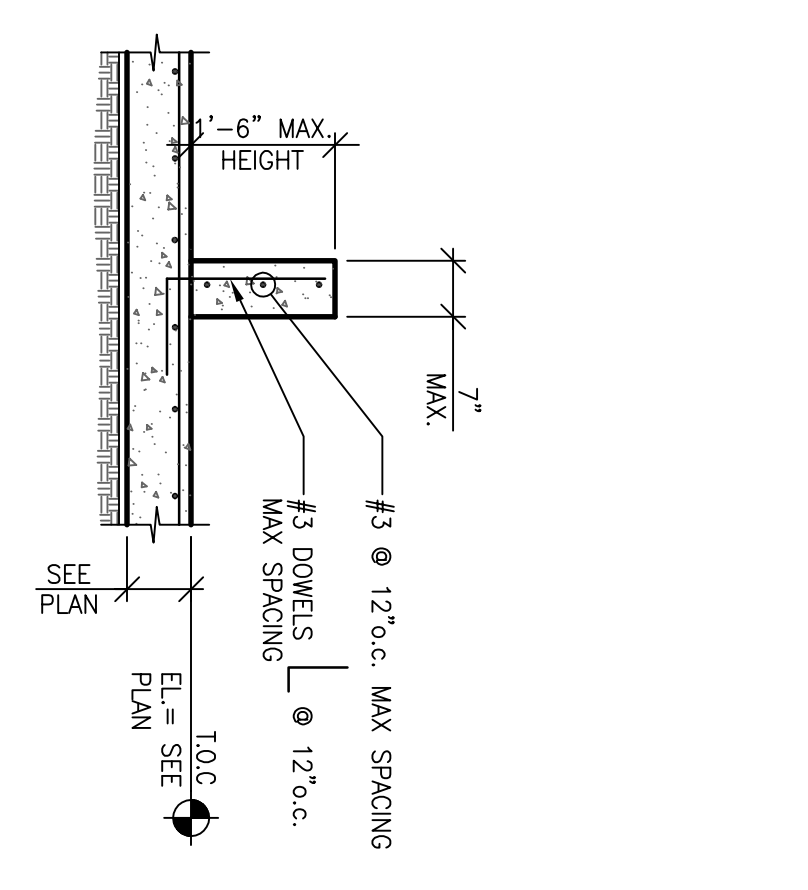
**4 SECTION**  
SCALE : 3/4" = 1'-0"



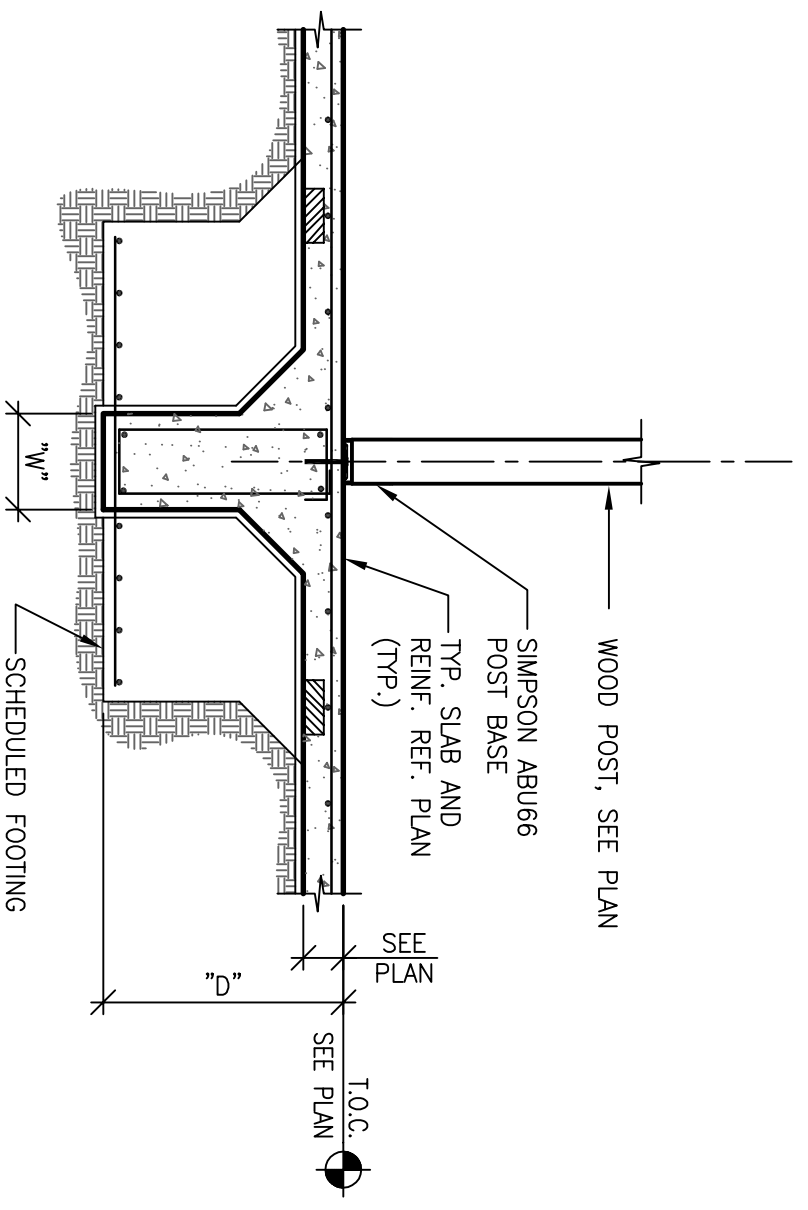
**5 SECTION**  
SCALE : 1/2" = 1'-0"



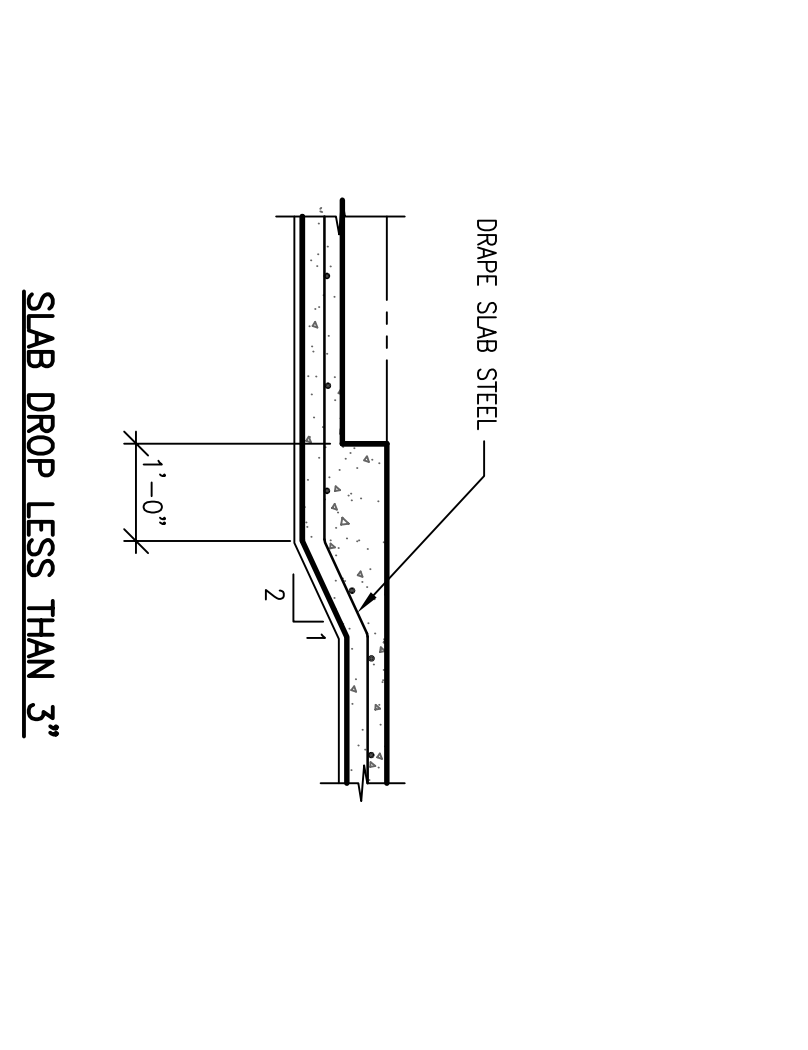
**6 SECTION**  
SCALE : 1/2" = 1'-0"



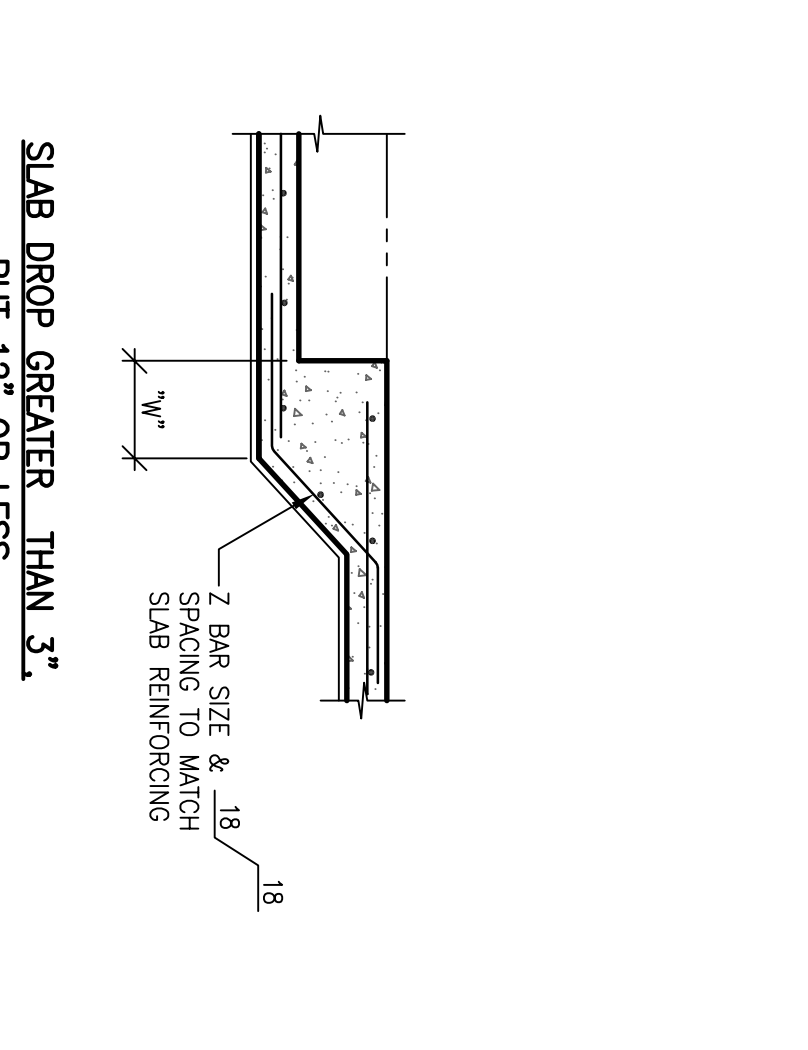
**7 TYP. CURB REINFORCEMENT DETAIL**  
SCALE : 1/2" = 1'-0"



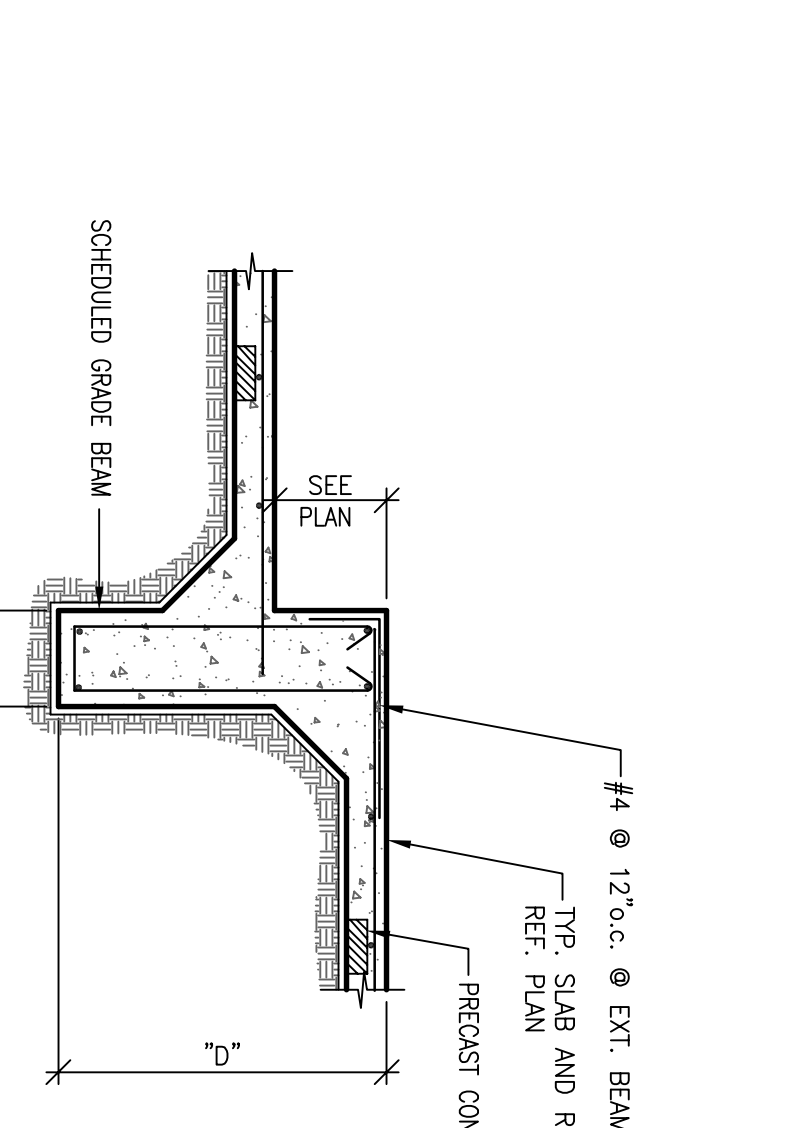
**8 SECTION**  
SCALE : 1/2" = 1'-0"



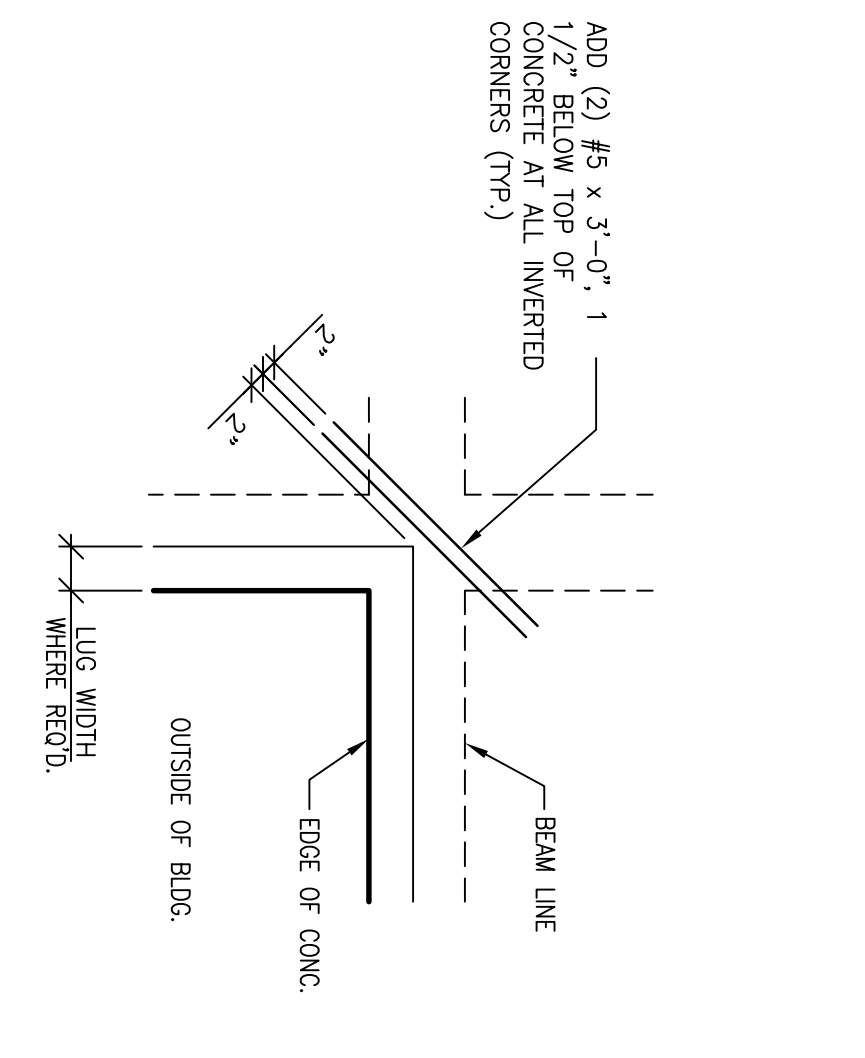
**9 TYP. DROP AT SLAB DETAIL**  
SCALE : 1/2" = 1'-0"



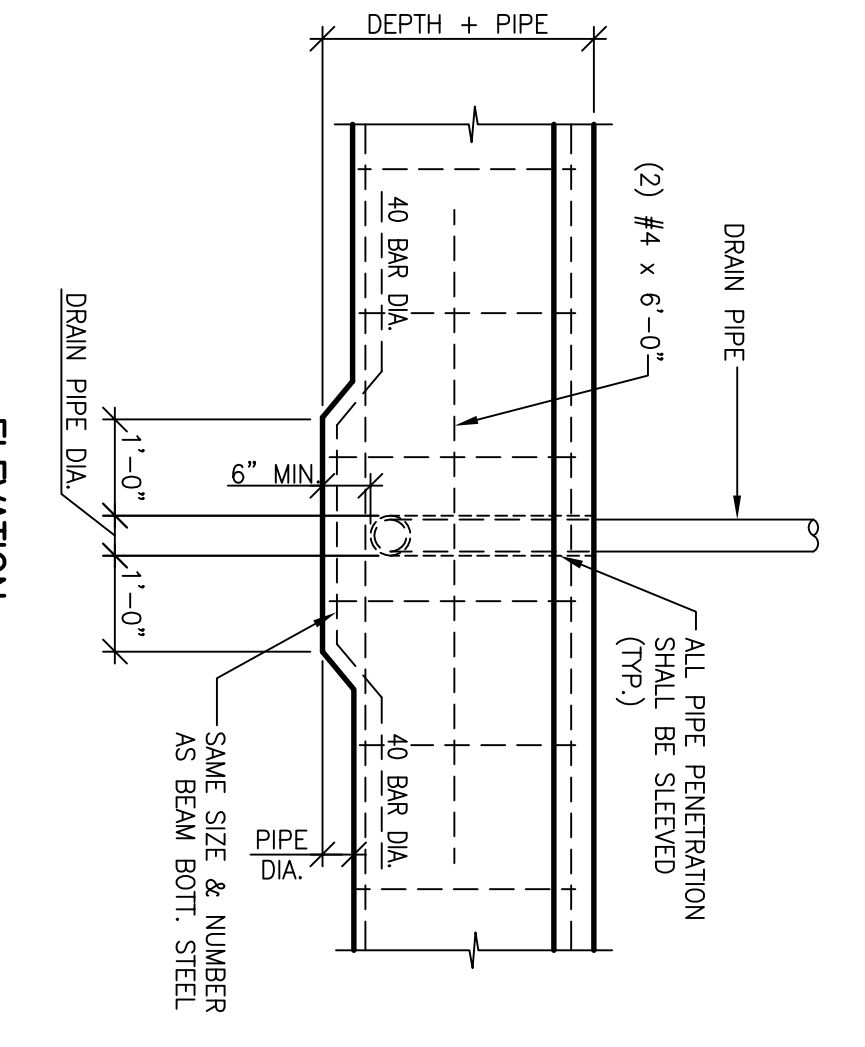
**10 SECTION**  
SCALE : 1/2" = 1'-0"



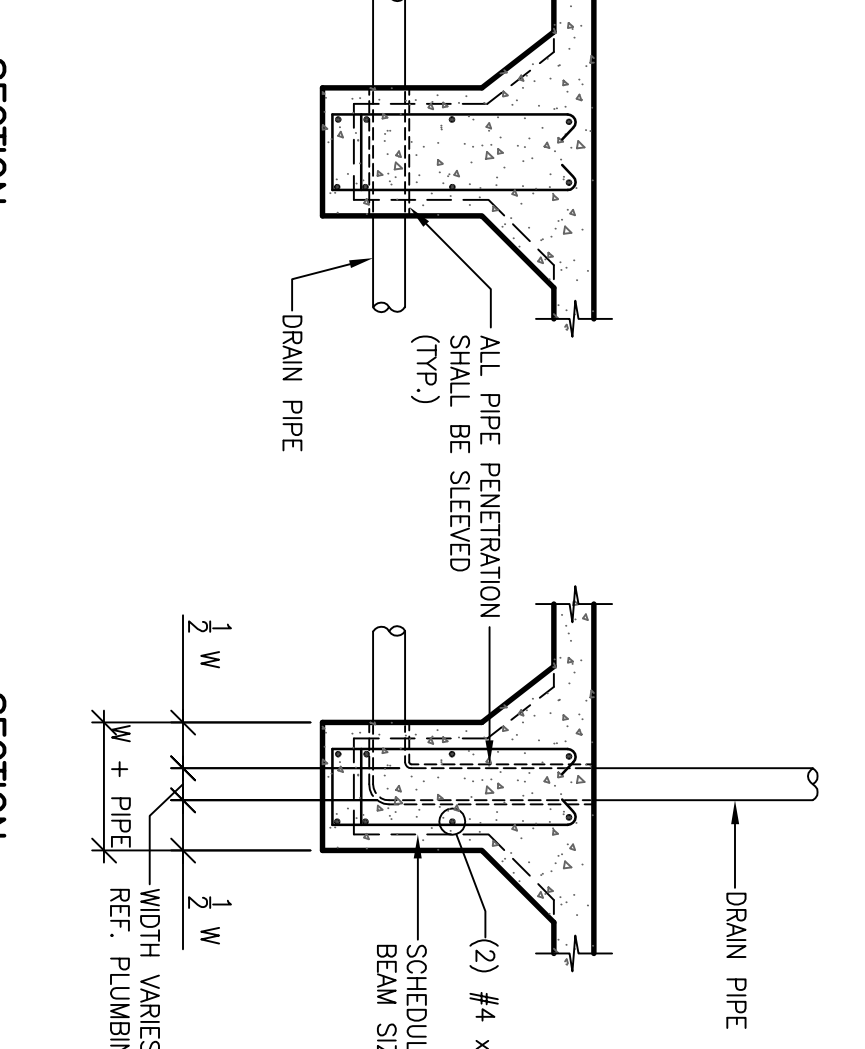
**11 TYP. CORNER BAR DETAIL @ GRADE SUPPORTED FOUNDATION**  
SCALE : N.T.S.



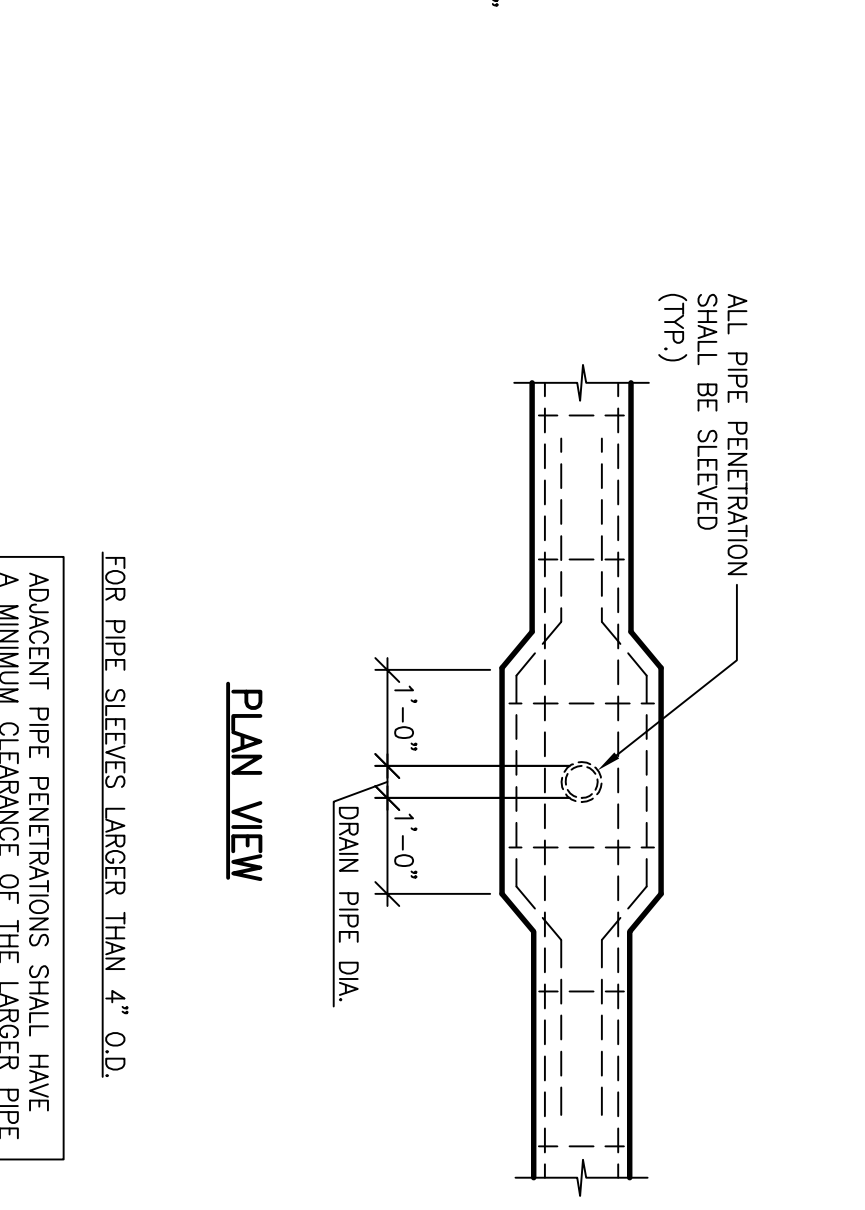
**12 TYP. REINF. AT INVERTED CORNER**  
SCALE : 1/2" = 1'-0"



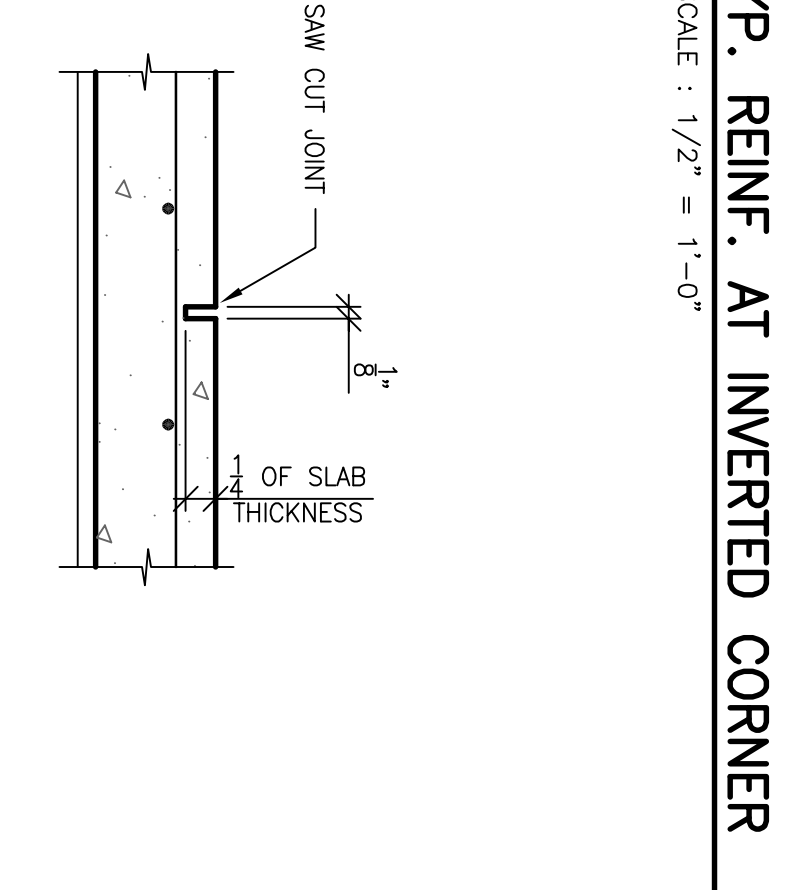
**13 TYP. BEAM PENETRATION**  
SCALE : 1/2" = 1'-0"



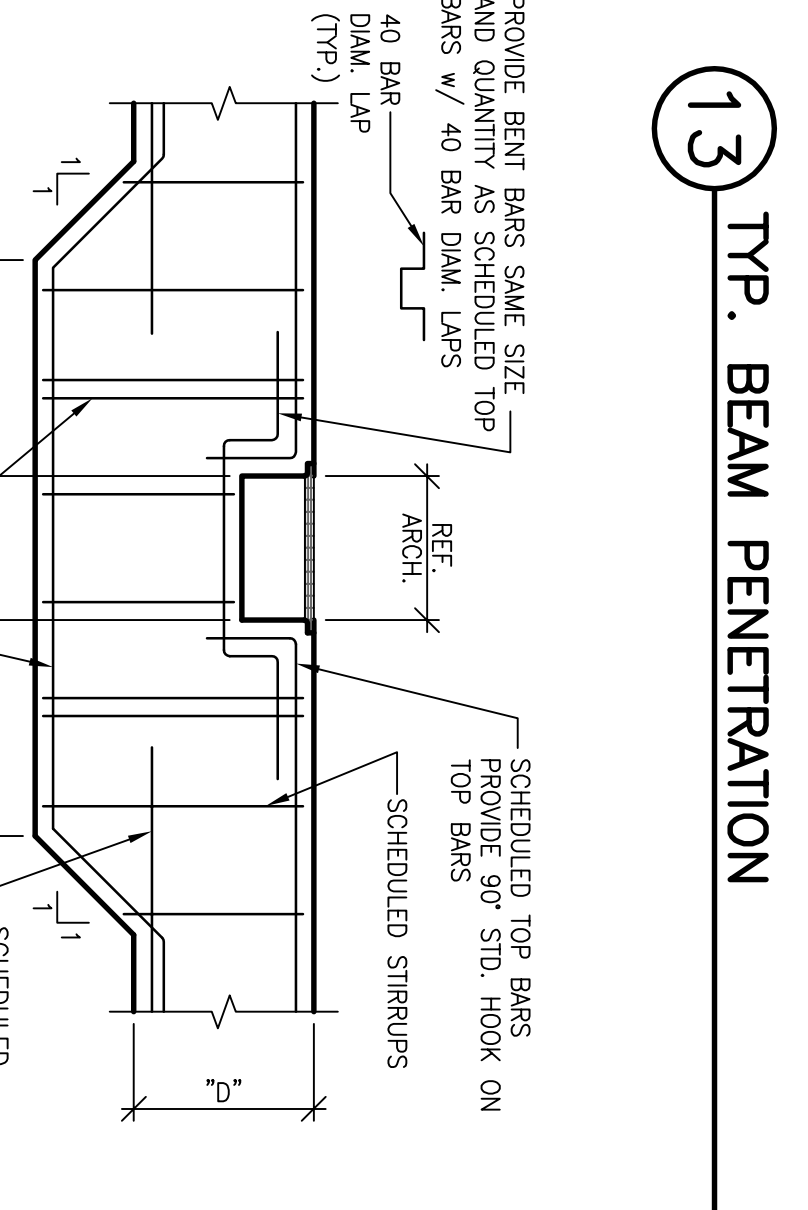
**14 TYP. COL. BASE PLATE DETAIL**  
SCALE : 3/4" = 1'-0"



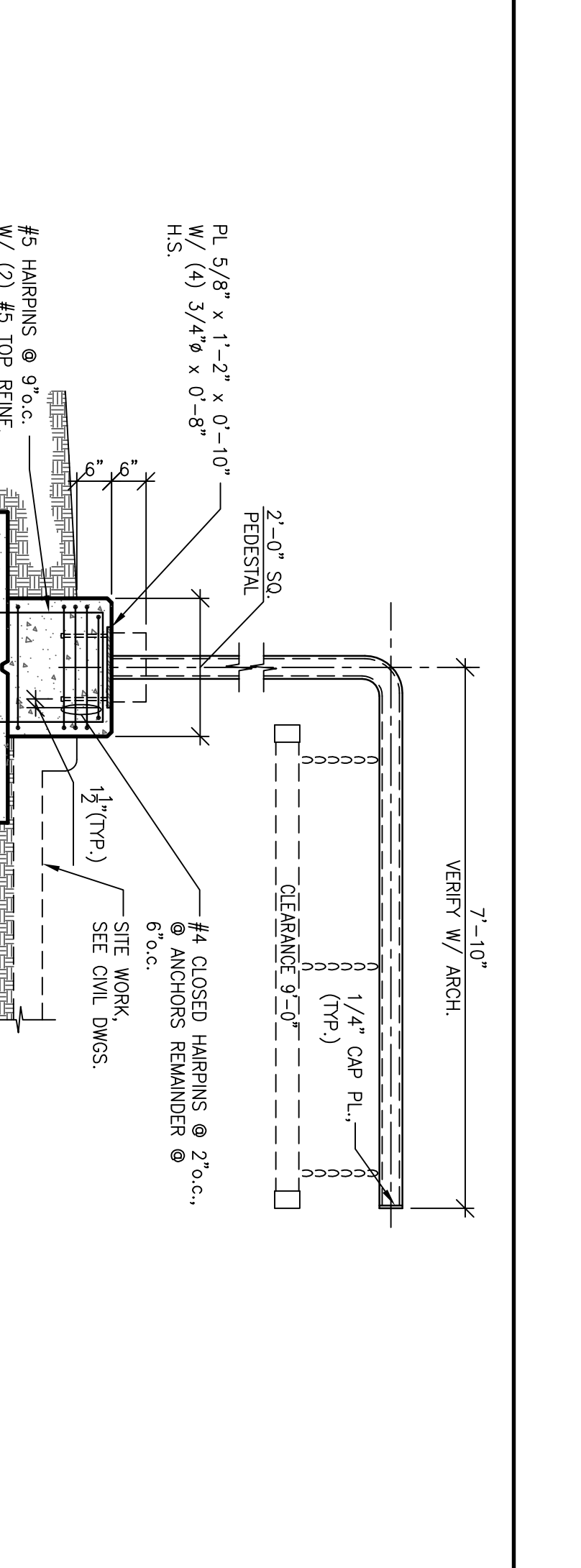
**15 TYP. VERT. CONSTR. JT. DETAILS**  
SCALE : 3/4" = 1'-0"



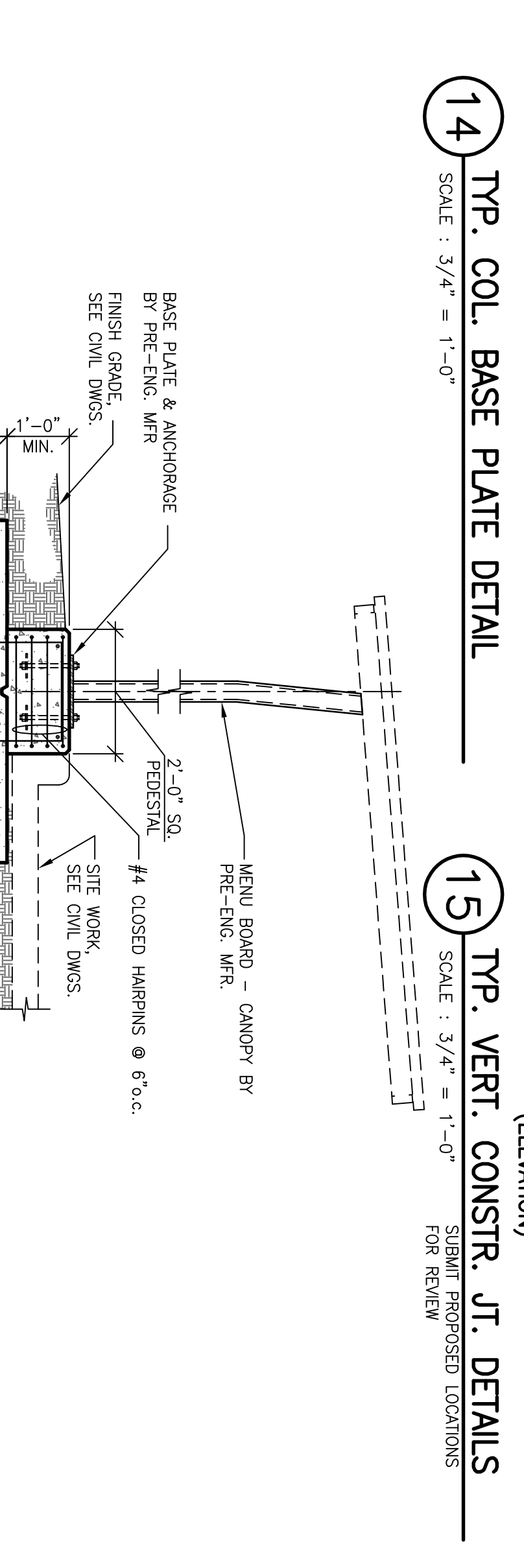
**16 TYPICAL SAW JOINT DETAIL**  
SCALE : 1/2" = 1'-0"



**17 DETAIL - GRADE BEAM @ TRENCH DRAIN**  
SCALE : 3/8" = 1'-0"



**18 CLEARANCE BAR DETAIL**  
SCALE : 1/2" = 1'-0"



**19 SECTION**  
SCALE : 1/2" = 1'-0"