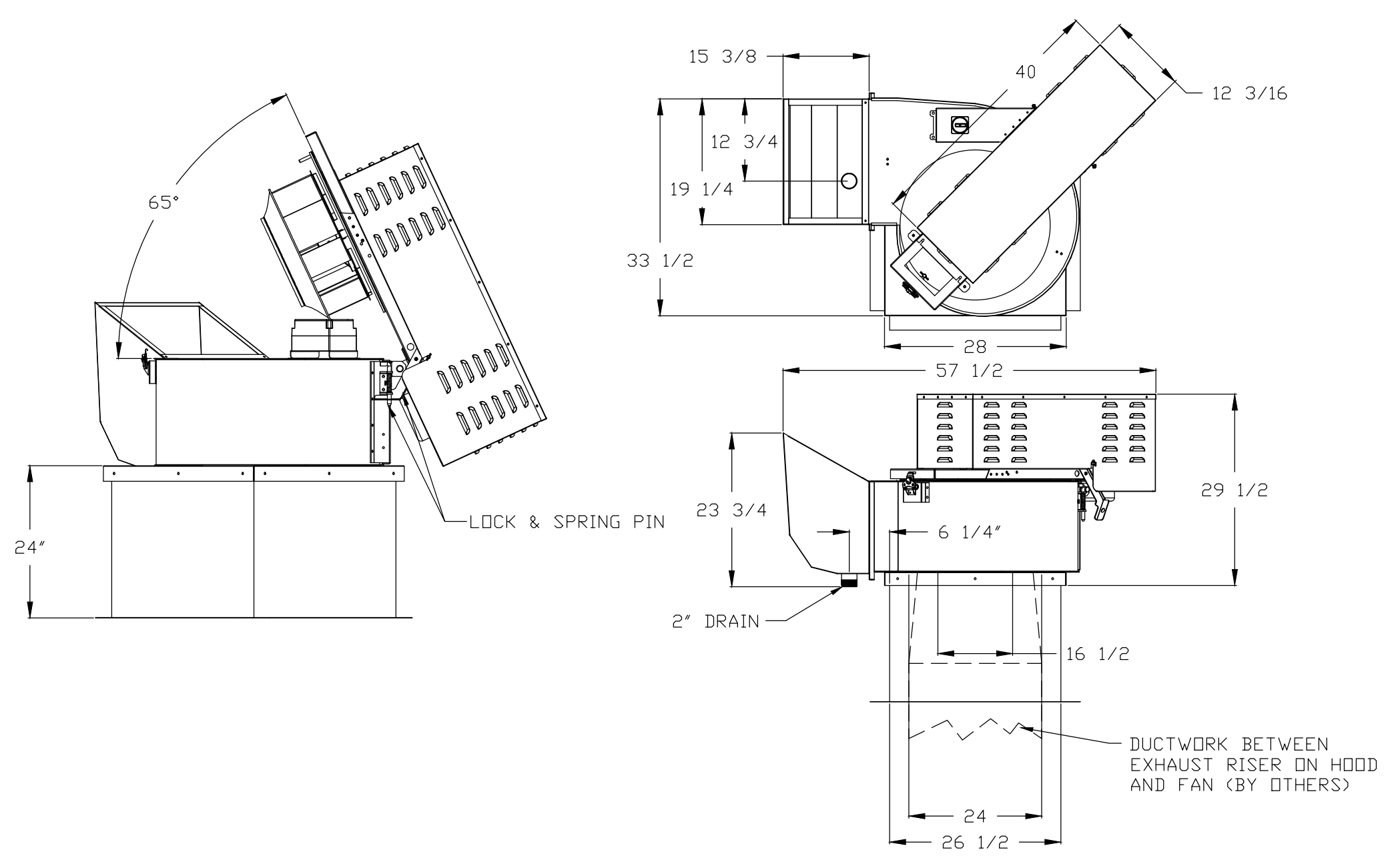


FAN #1 and #4 CASREIBBD - EXHAUST FAN

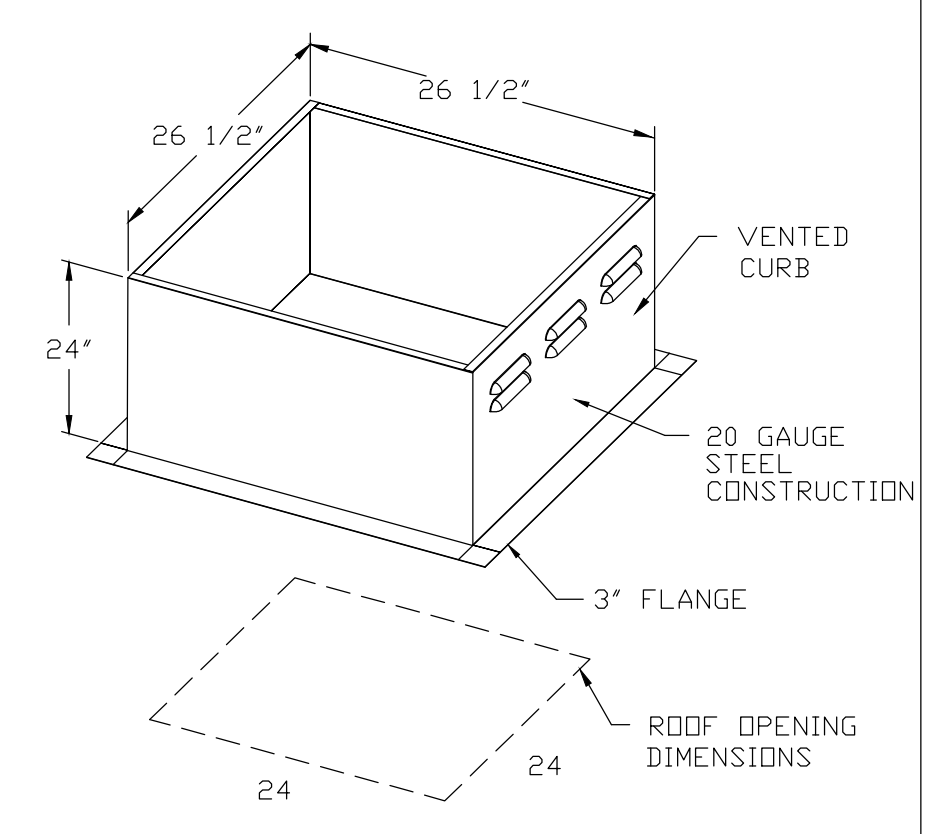


- FEATURES:**
- ROOF MOUNTED FANS
  - RESTAURANT MODEL
  - UL762
  - HIGH HEAT OPERATION DIRECT DRIVE 300°F (149°C)
  - HIGH HEAT OPERATION BELT DRIVE 500°F (260°C)
  - HEAT SLINGER
  - GREASE CLASSIFICATION TESTING
  - TILT OUT WHEEL
  - LOCKING PIN FOR POWER PACK
  - MOTOR WEATHER COVER
  - INTERLOCKED DISCONNECT SWITCH

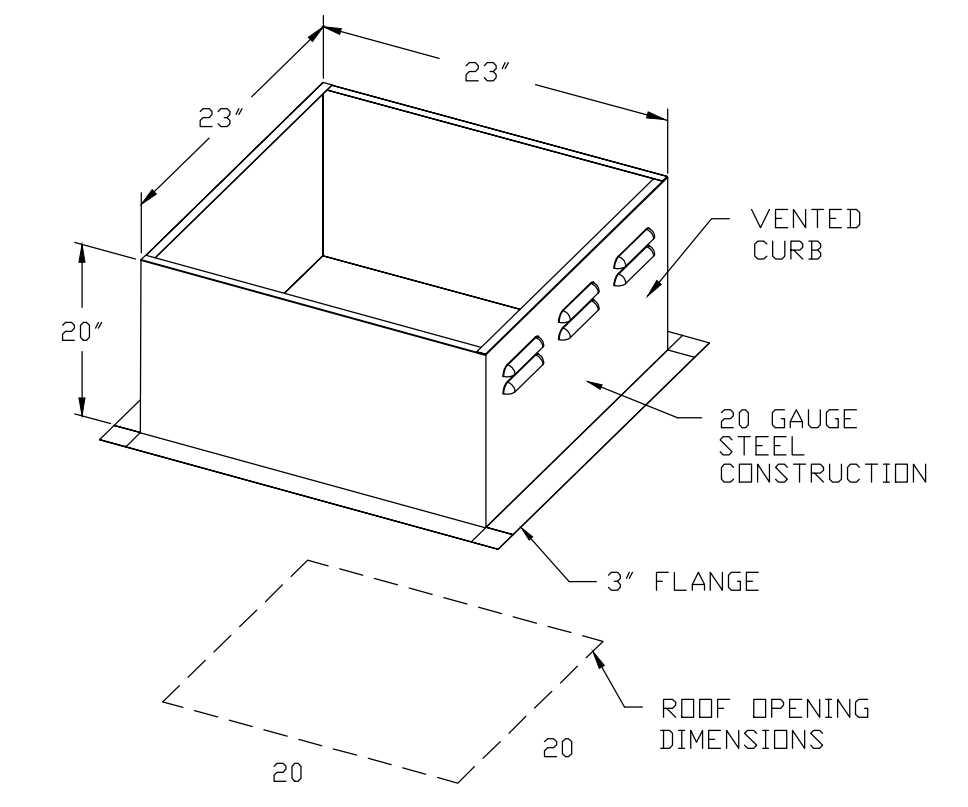
**NORMAL TEMPERATURE TEST BELT DRIVE**  
 EXHAUST FAN MUST OPERATE CONTINUOUSLY WHILE EXHAUSTING AIR AT 300°F (260°C) UNTIL ALL FAN PARTS HAVE REACHED THERMAL EQUILIBRIUM, AND WITHOUT ANY DETERIORATING EFFECTS TO THE FAN WHICH WOULD CAUSE UNSAFE OPERATION.

**ABNORMAL FLARE-UP TEST BELT & DIRECT DRIVE**  
 EXHAUST FAN MUST OPERATE CONTINUOUSLY WHILE EXHAUSTING BURNING GREASE VAPORS AT 600°F (316°C) FOR A PERIOD OF 15 MINUTES WITHOUT THE FAN BECOMING DAMAGED TO ANY EXTENT THAT COULD CAUSE AN UNSAFE CONDITION.

- OPTIONS**
- UTILITY SET GREASE CUP

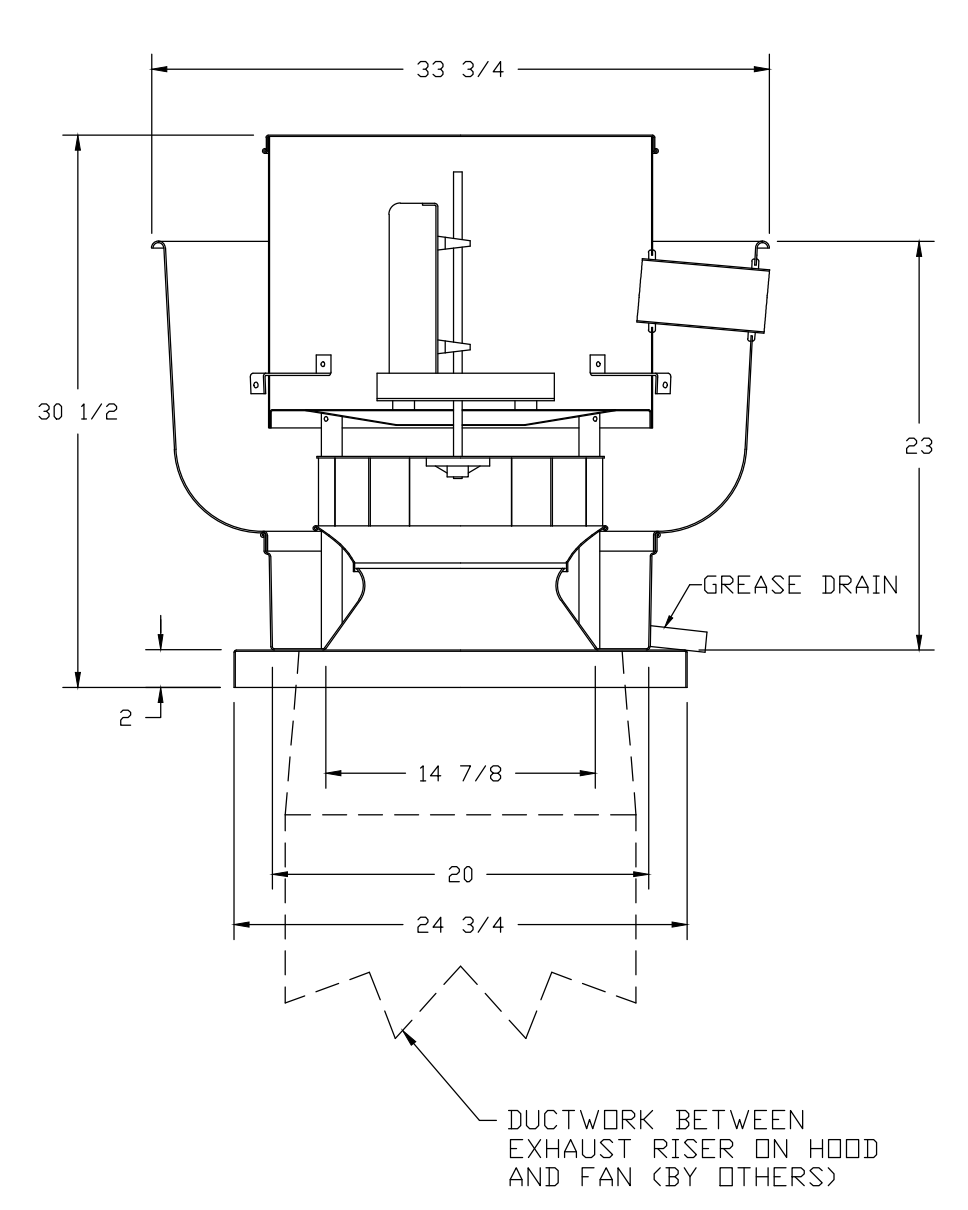


ITEM #14 BROILER (2) REQUIRED



**NOTE:**  
 ALL HOOD EXHAUST FANS AND ROOF CURBS TO BE FURNISHED BY KITCHEN CONTRACTOR MECHANICAL CONTRACTOR TO INSTALL CURBS AND FANS.  
 ALL ROOF OPENINGS AND WEATHER SEALING BY ROOFING CONTRACTOR.  
 SUPPLY MAKUP AIR BY MECHANICAL CONTR.  
 TOTAL AIR BALANCE BY MECHANICAL CONTR.  
 FAN CONTROL PANEL BY ELECTRICAL CONTRACTOR

FAN #2, #5, #7 NCA14HPFA - EXHAUST FAN



- FEATURES:**
- ROOF MOUNTED FANS
  - RESTAURANT MODEL
  - UL705 AND UL762
  - AMCA SOUND AND AIR CERTIFIED
  - WEATHERPROOF DISCONNECT
  - HIGH HEAT OPERATION 300°F (149°C)
  - GREASE CLASSIFICATION TESTING

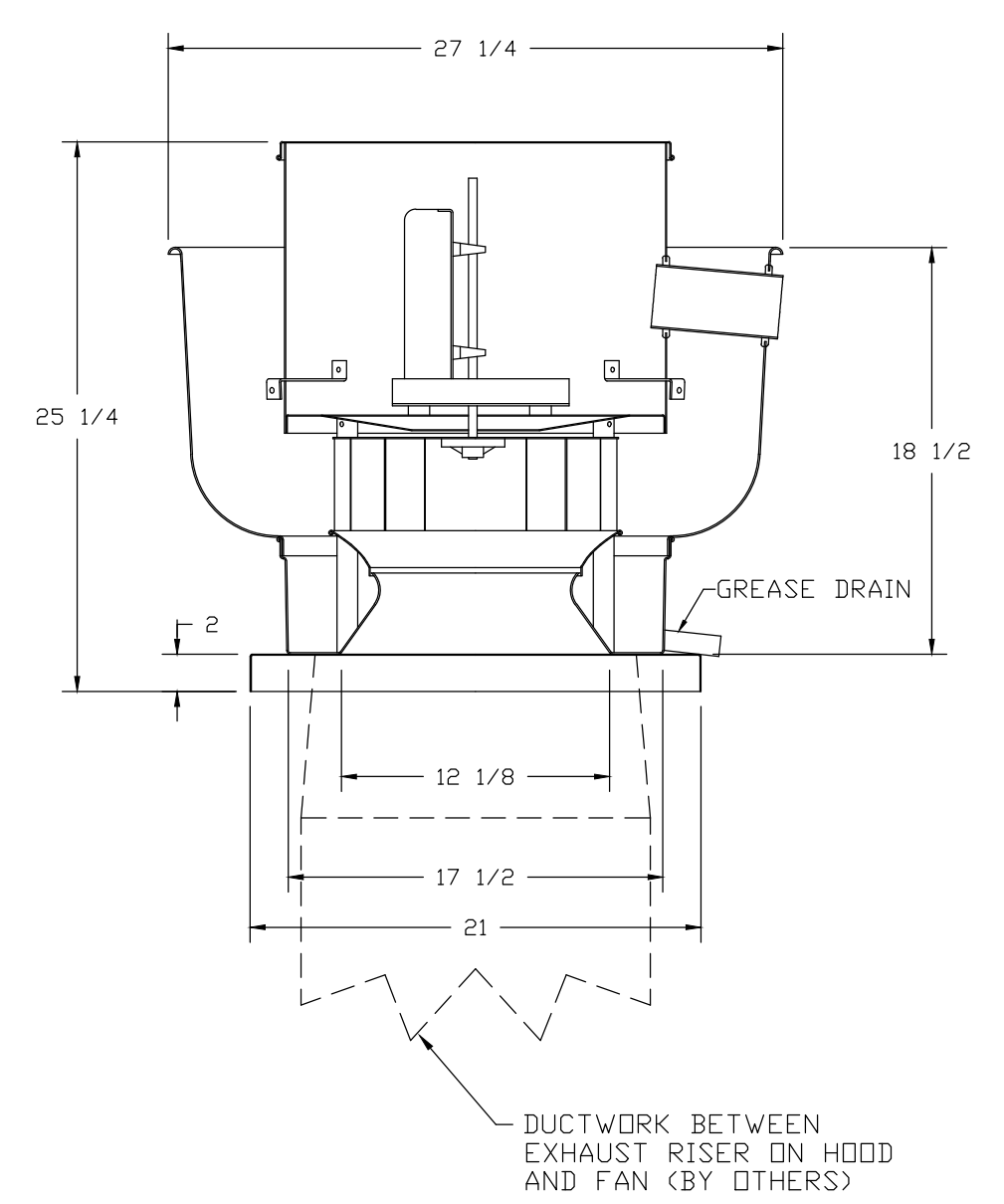
**NORMAL TEMPERATURE TEST**  
 EXHAUST FAN MUST OPERATE CONTINUOUSLY WHILE EXHAUSTING AIR AT 300°F (149°C) UNTIL ALL FAN PARTS HAVE REACHED THERMAL EQUILIBRIUM, AND WITHOUT ANY DETERIORATING EFFECTS TO THE FAN WHICH WOULD CAUSE UNSAFE OPERATION.

**ABNORMAL FLARE-UP TEST**  
 EXHAUST FAN MUST OPERATE CONTINUOUSLY WHILE EXHAUSTING BURNING GREASE VAPORS AT 600°F (316°C) FOR A PERIOD OF 15 MINUTES WITHOUT THE FAN BECOMING DAMAGED TO ANY EXTENT THAT COULD CAUSE AN UNSAFE CONDITION.

- OPTIONS**
- GREASE BOX

ITEM #14 GRIDDLE (2) REQUIRED  
 ITEM #45 FRYERS (1) REQUIRED

FAN #9 NCA8FA - EXHAUST FAN



- FEATURES:**
- ROOF MOUNTED FANS
  - RESTAURANT MODEL
  - UL705 AND UL762
  - AMCA SOUND AND AIR CERTIFIED
  - WIRING FROM MOTOR TO DISCONNECT SWITCH
  - WEATHERPROOF DISCONNECT
  - HIGH HEAT OPERATION 300°F (149°C)
  - GREASE CLASSIFICATION TESTING

**NORMAL TEMPERATURE TEST**  
 EXHAUST FAN MUST OPERATE CONTINUOUSLY WHILE EXHAUSTING AIR AT 300°F (149°C) UNTIL ALL FAN PARTS HAVE REACHED THERMAL EQUILIBRIUM, AND WITHOUT ANY DETERIORATING EFFECTS TO THE FAN WHICH WOULD CAUSE UNSAFE OPERATION.

**ABNORMAL FLARE-UP TEST**  
 EXHAUST FAN MUST OPERATE CONTINUOUSLY WHILE EXHAUSTING BURNING GREASE VAPORS AT 600°F (316°C) FOR A PERIOD OF 15 MINUTES WITHOUT THE FAN BECOMING DAMAGED TO ANY EXTENT THAT COULD CAUSE AN UNSAFE CONDITION.

- OPTIONS**
- GREASE BOX

ITEM #58 OVEN (1) REQUIRED

