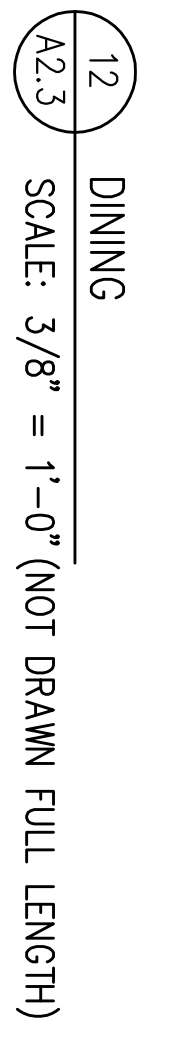
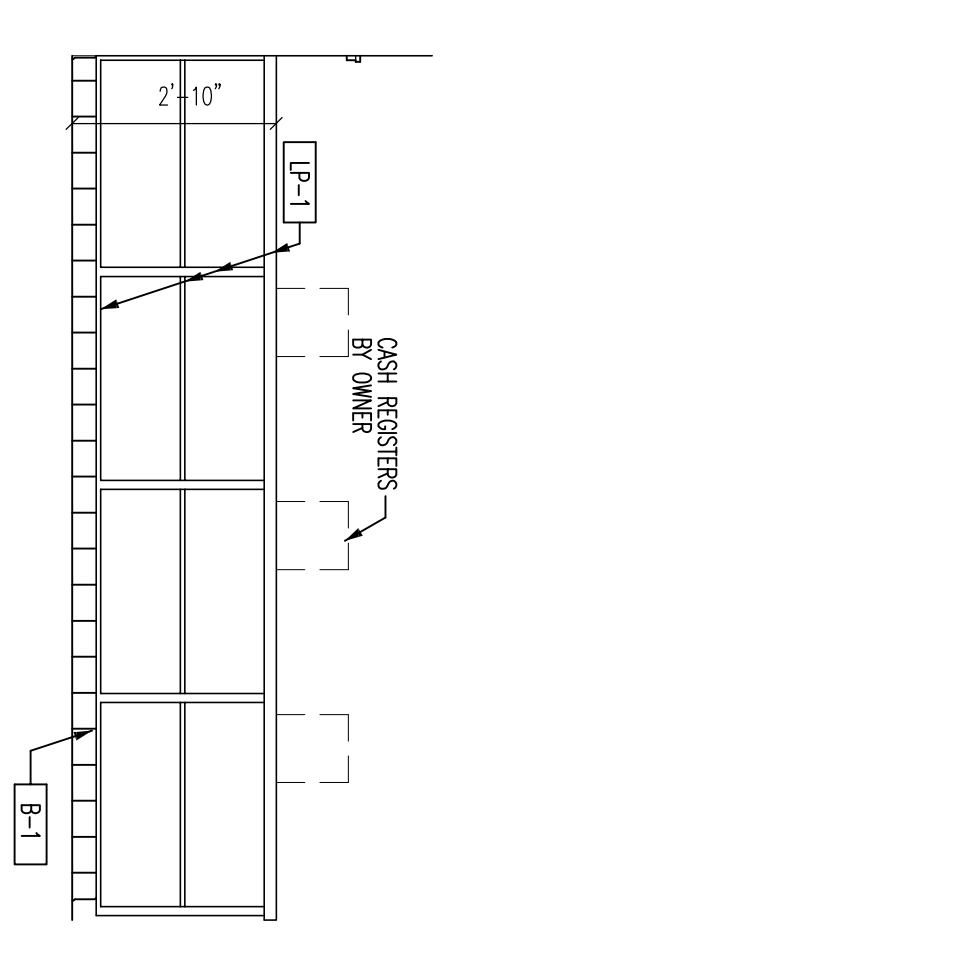
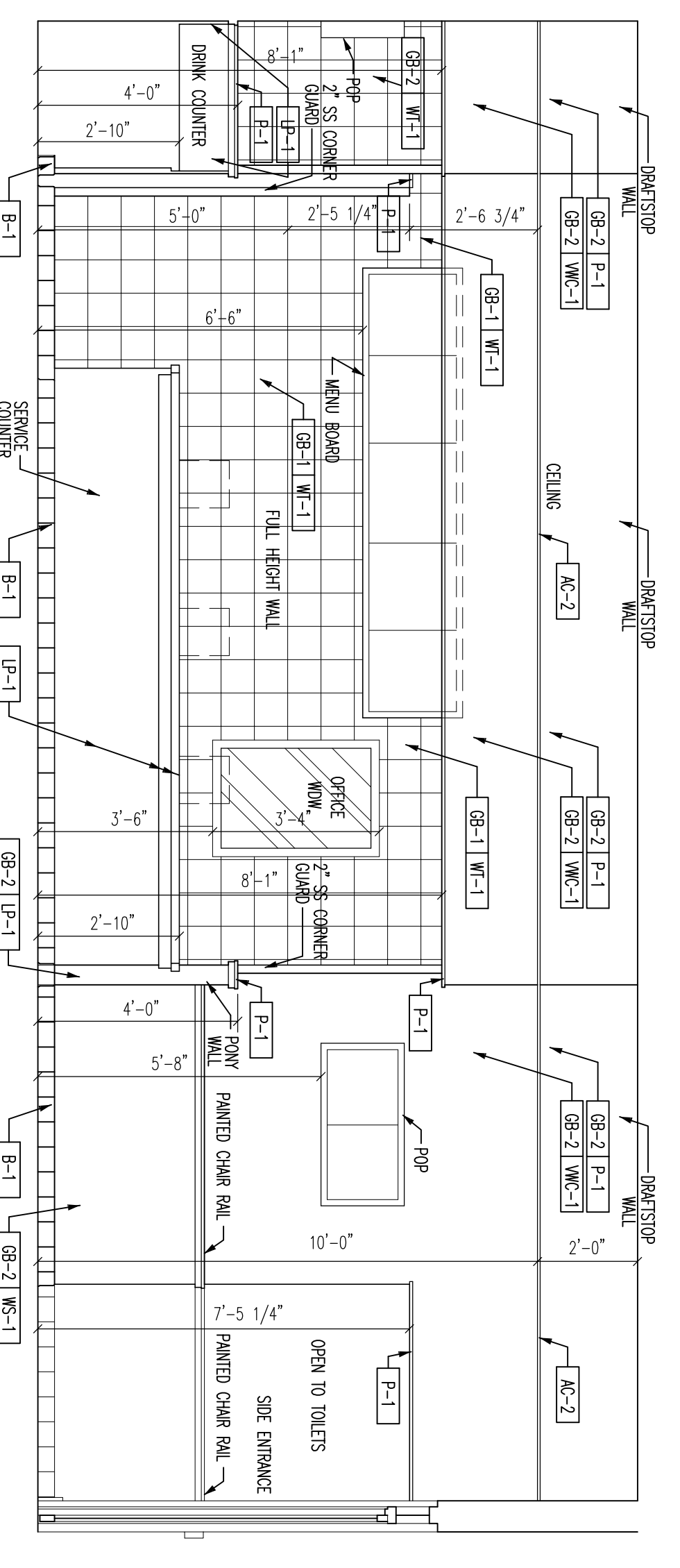
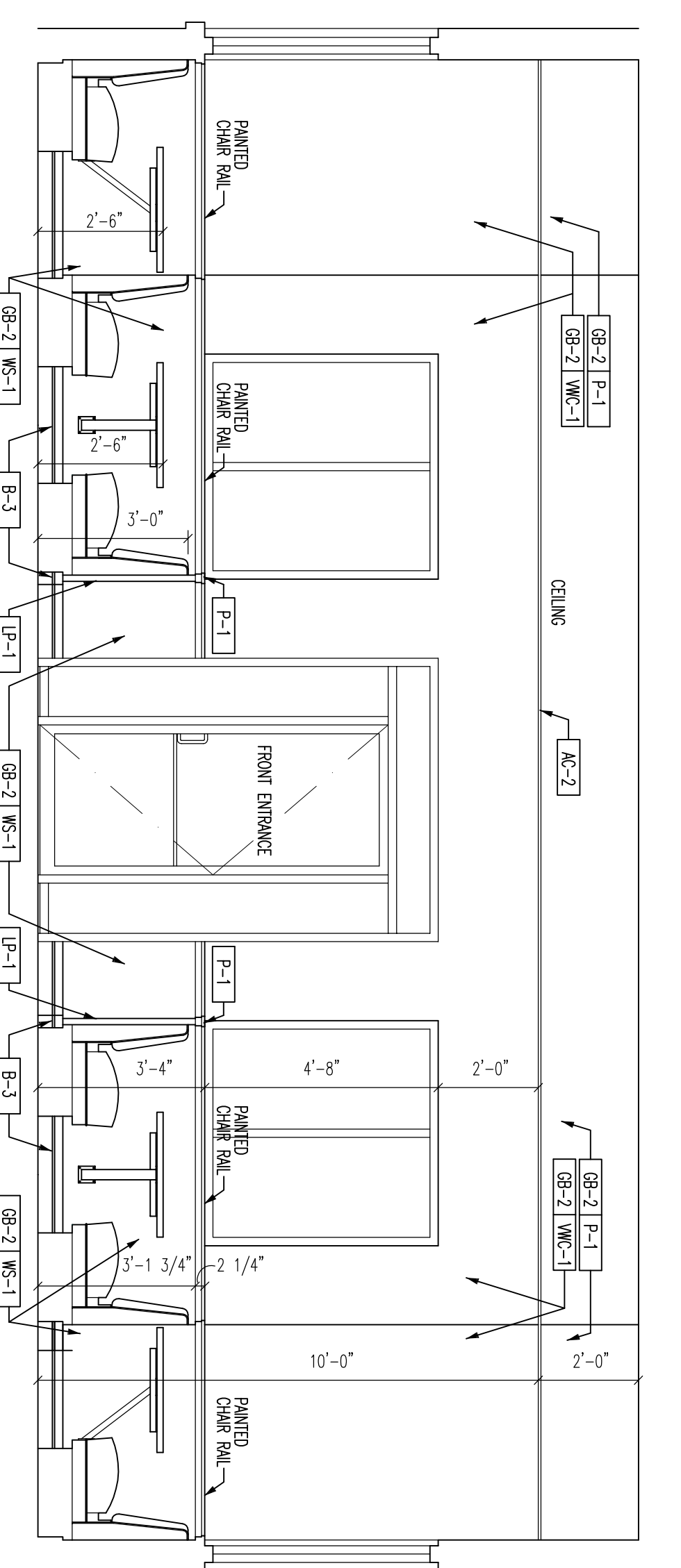
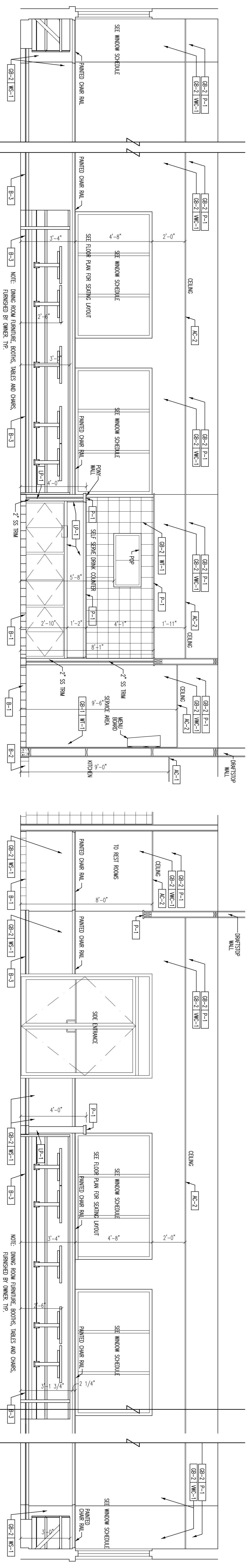
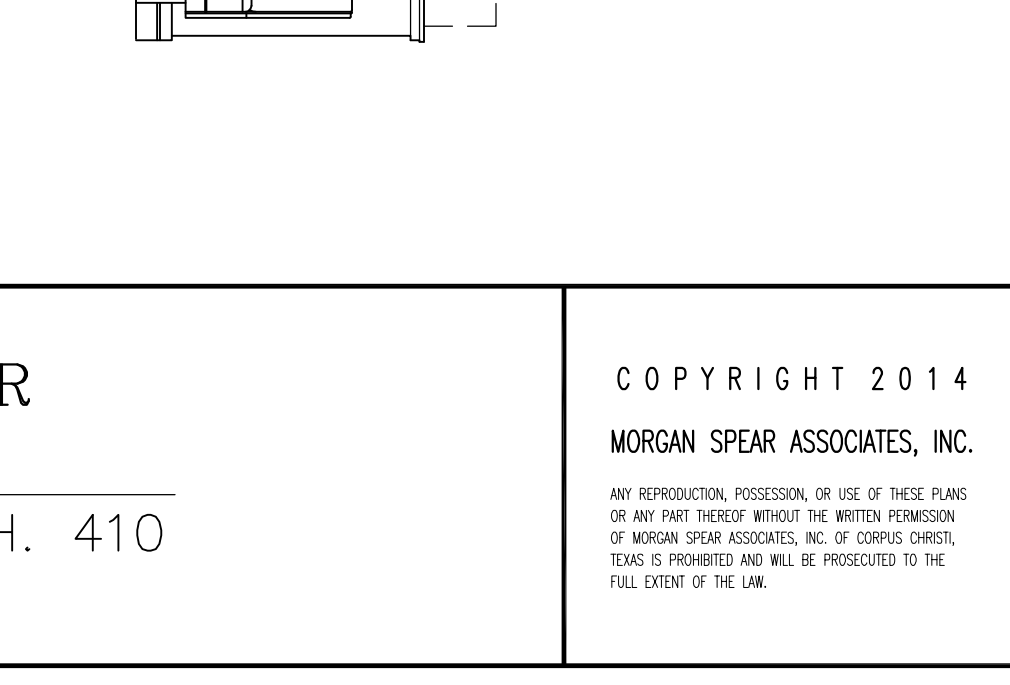
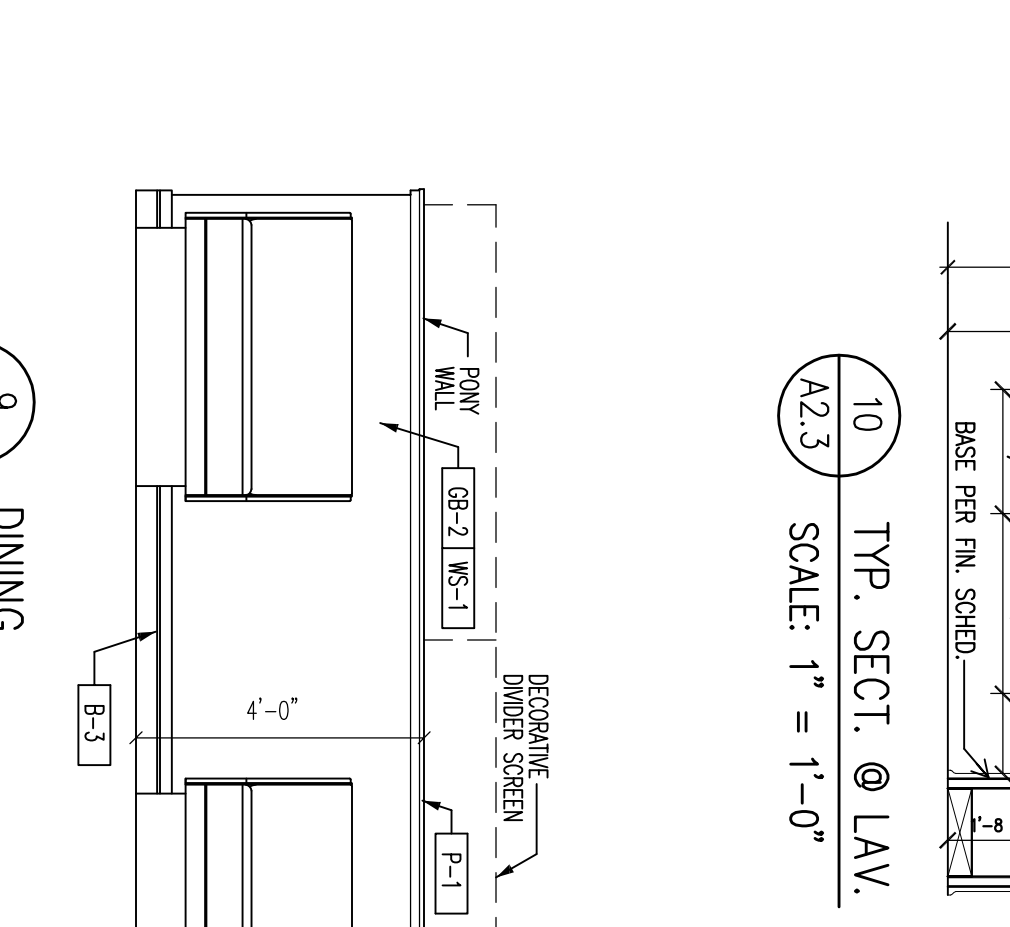
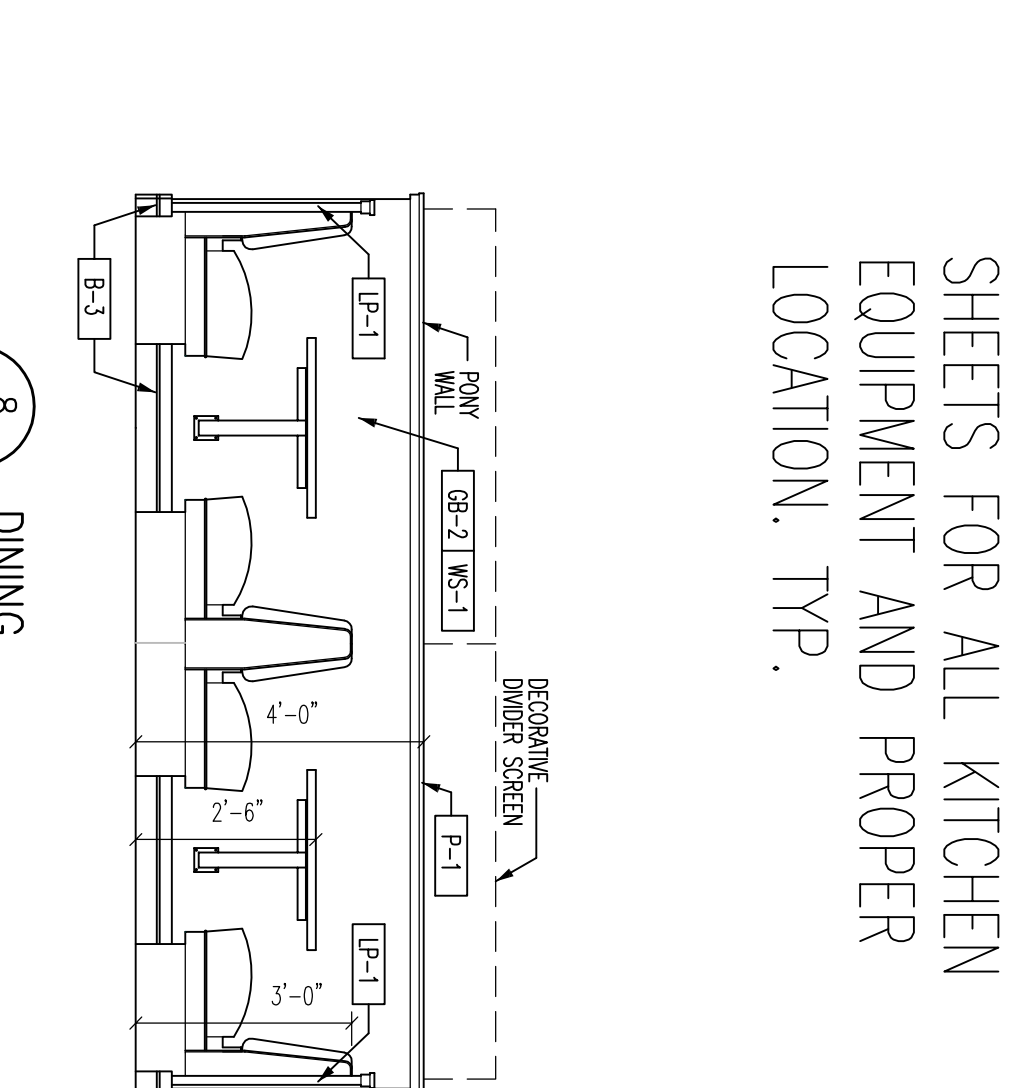
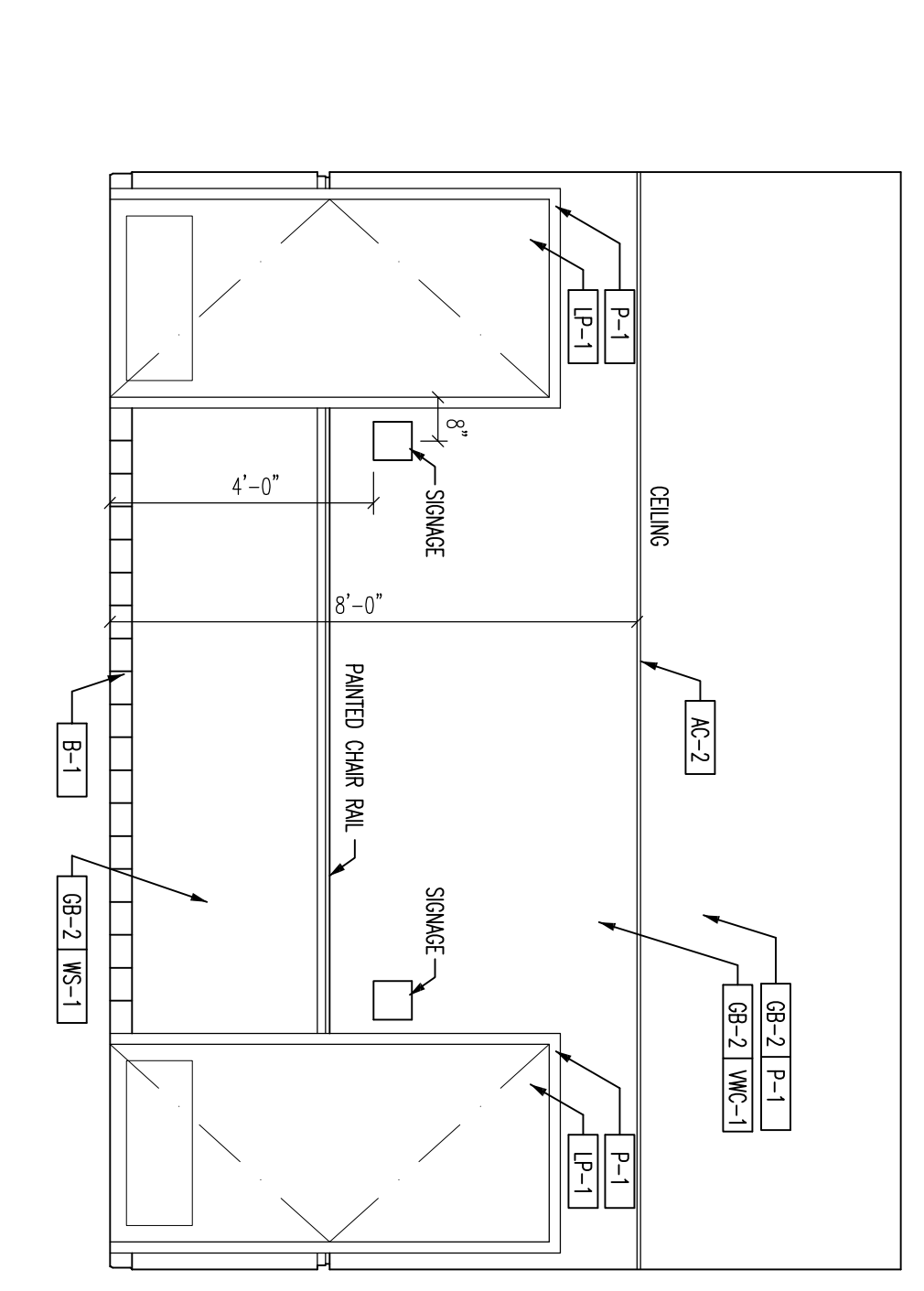
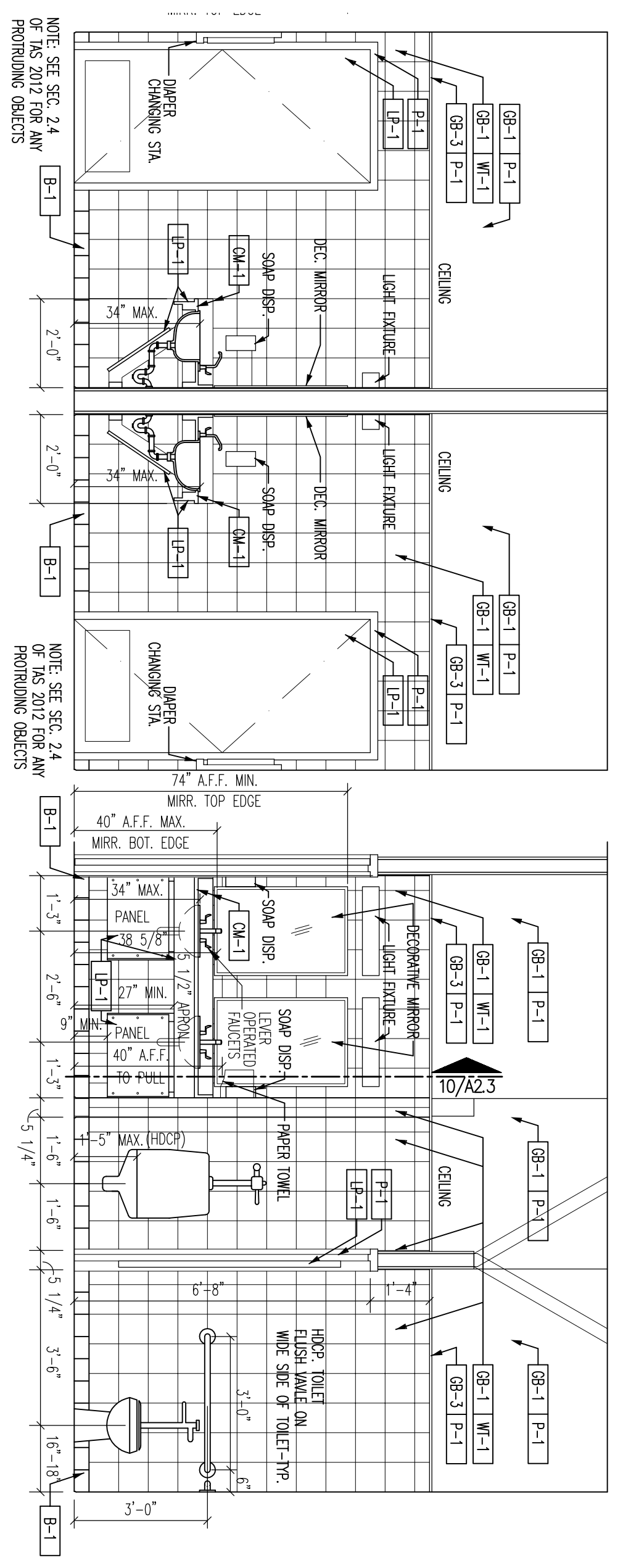
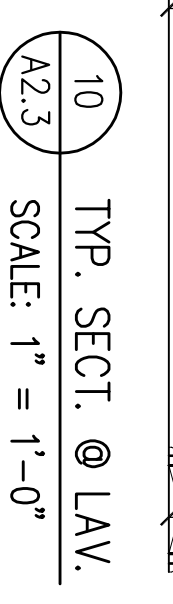


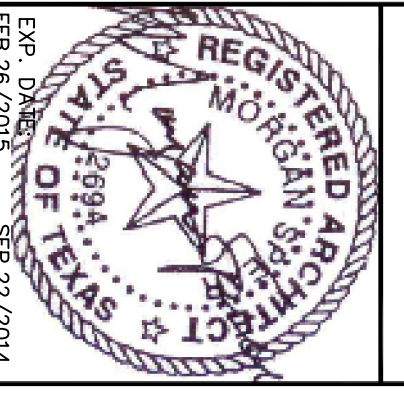
NOTE: REFER TO KITCHEN DRAWING SHEETS FOR ALL KITCHEN EQUIPMENT AND PROPER LOCATION. TYP.



ARCHITECT'S PROJECT NUMBER 120928	DATE: 09/22/14
SCALE 3/8" = 1'-0"	REVISIONS
SHEET TITLE INTERIOR ELEVATIONS	
SHEET NUMBER A2.3	
SHEET OF	

JIM'S FRONTIER BURGER
 PETRO CENTER/CROWNHILL @ I.H. 410
 SAN ANTONIO, TEXAS 78209

COPYRIGHT 2014
 MORGAN SPEAR ASSOCIATES, INC.



MORGAN SPEAR ASSOCIATES, INC.
 ARCHITECTS PLANNERS
 225 S. CARANCAHUA STREET
 CORPUS CHRISTI, TEXAS 78401
 (361) 883-5588 PHONE (361) 883-9204 FAX

