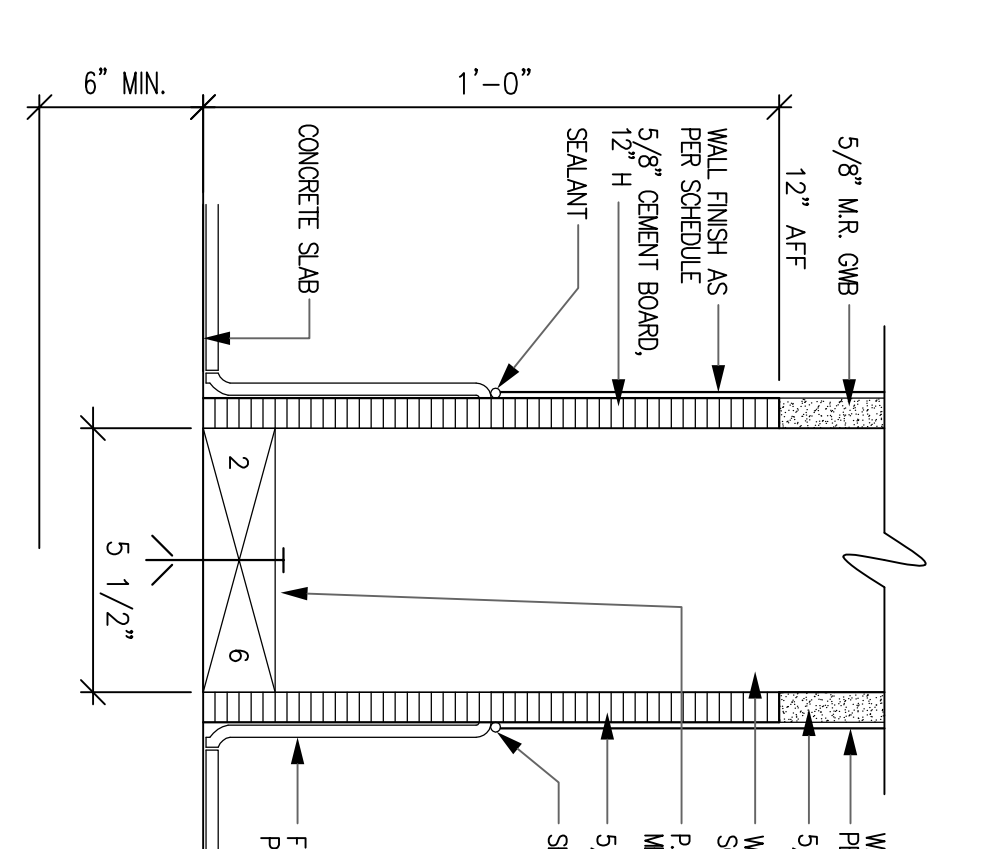
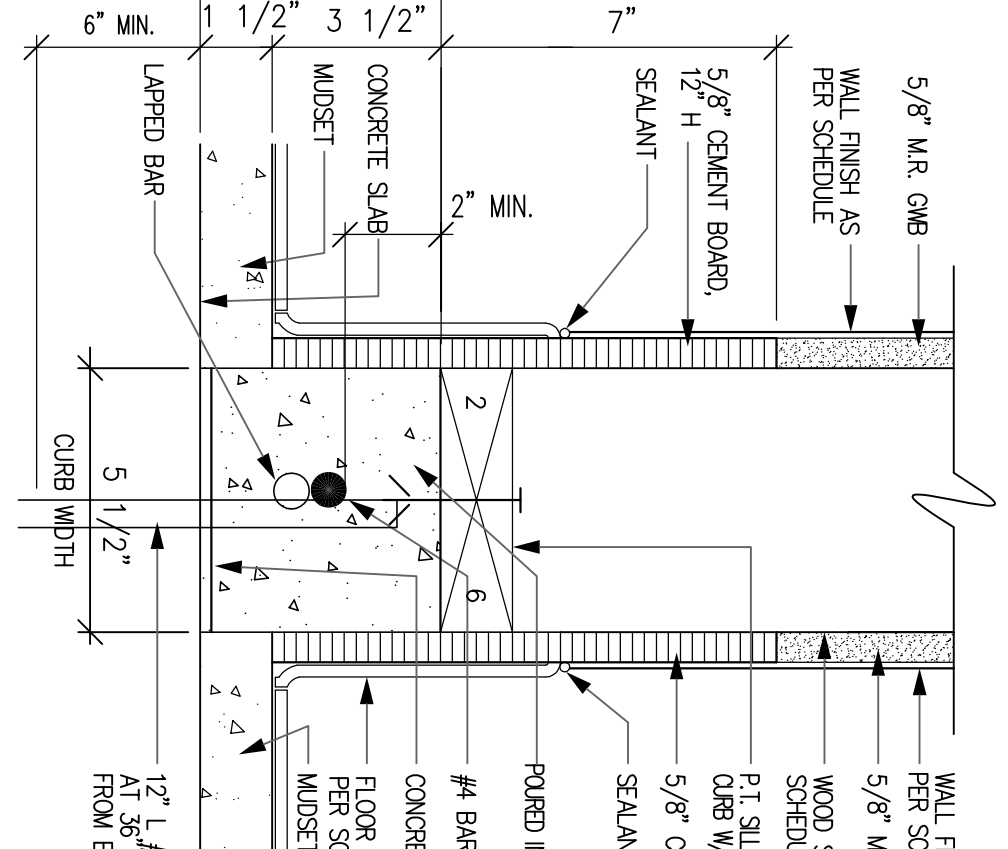


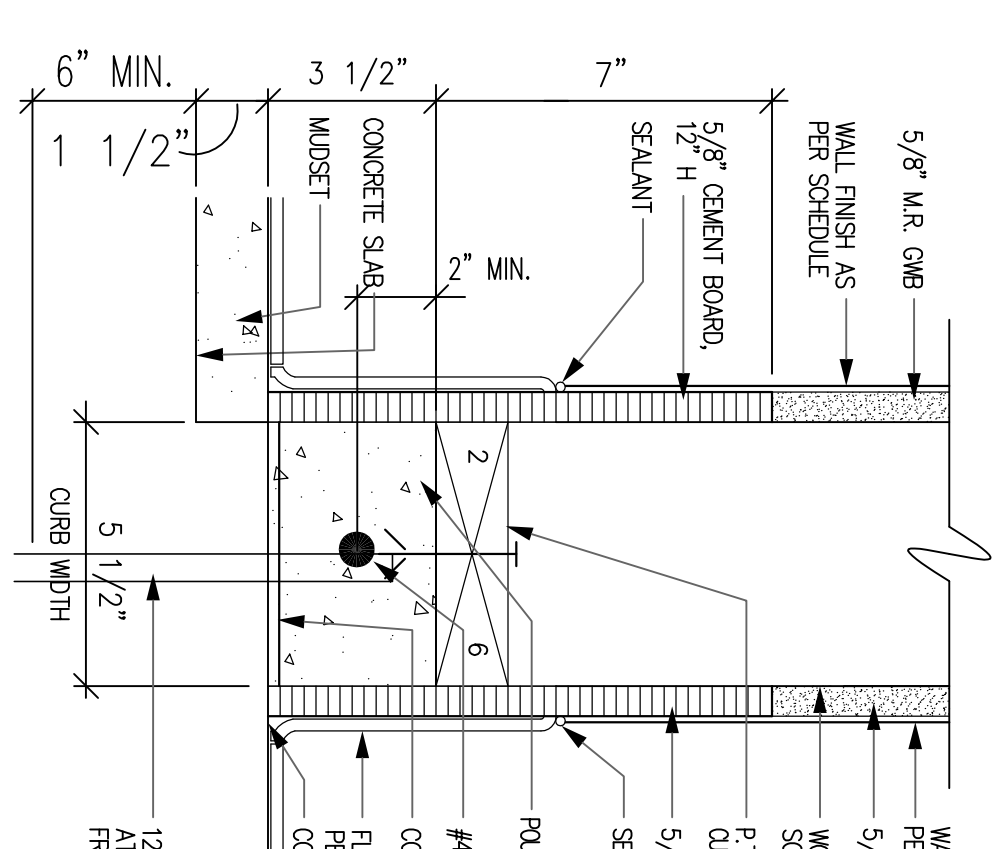
2 TYPICAL @ 2X4 INTERIOR STUD WALL
 A2.2 SCALE: 3" = 1'-0"



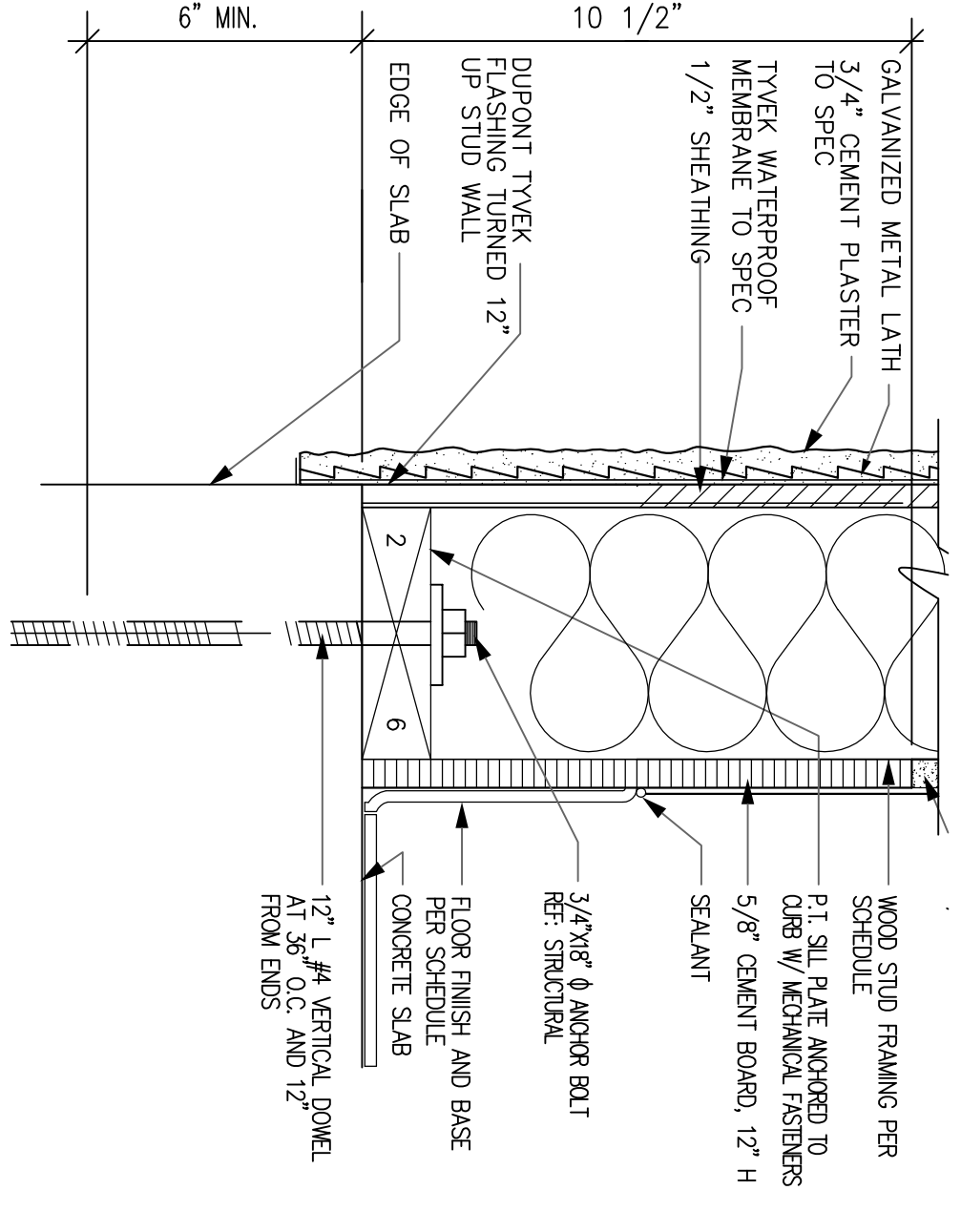
3 TYPICAL @ 2X6 INTERIOR STUD WALL
 A2.2 SCALE: 3" = 1'-0"



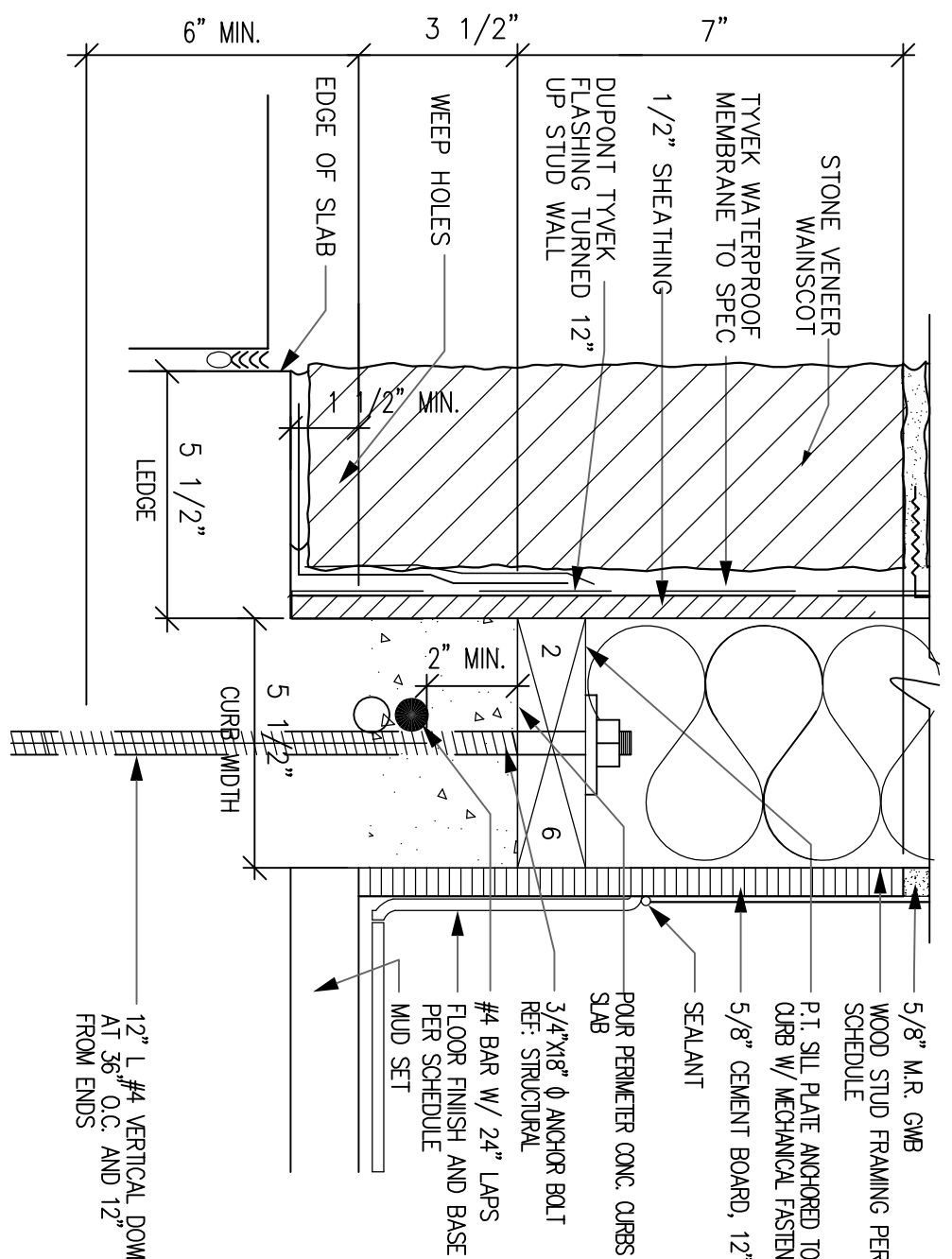
4 SECTION @ SURFACE APPLIED CURB W/ DROPPED SLAB EACH SIDE
 A2.2 SCALE: 3" = 1'-0"



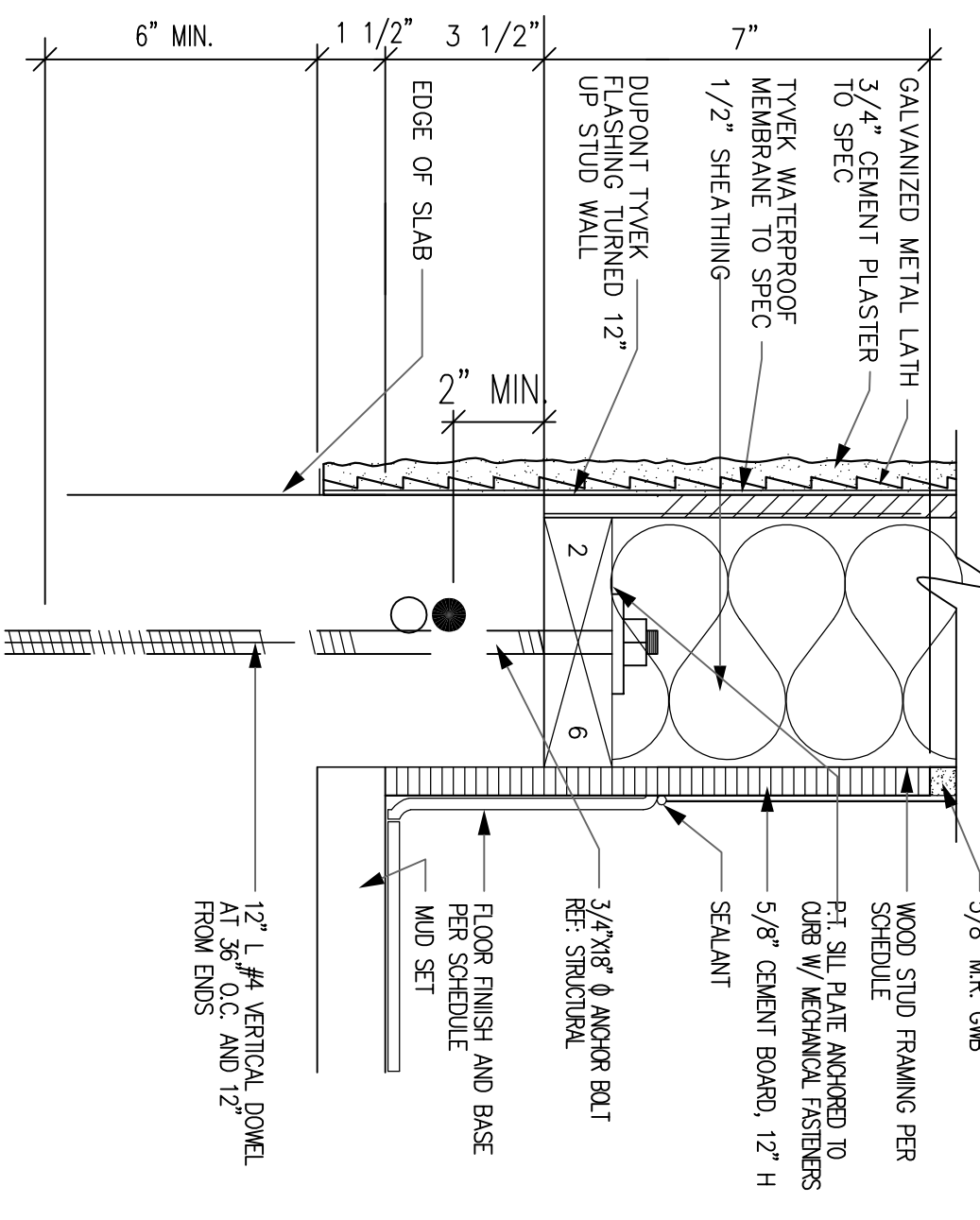
5 SECTION @ SURFACE APPLIED CURB W/ DROPPED SLAB ONE SIDE
 A2.2 SCALE: 3" = 1'-0"



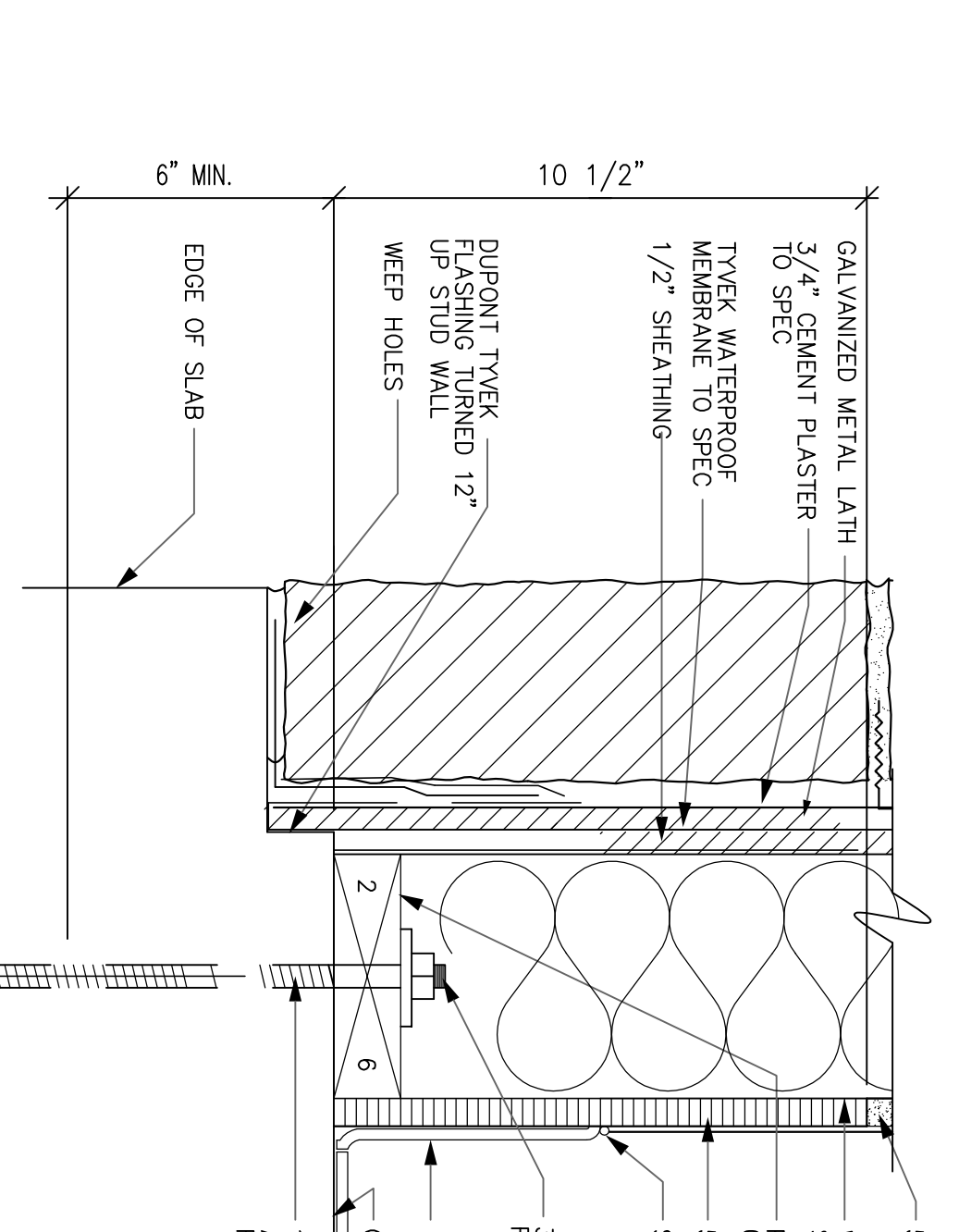
6 SOLE PLATE DETAIL @ PERIMETER WALL @ NON-RECESSED SLAB
 A2.2 SCALE: 3" = 1'-0"



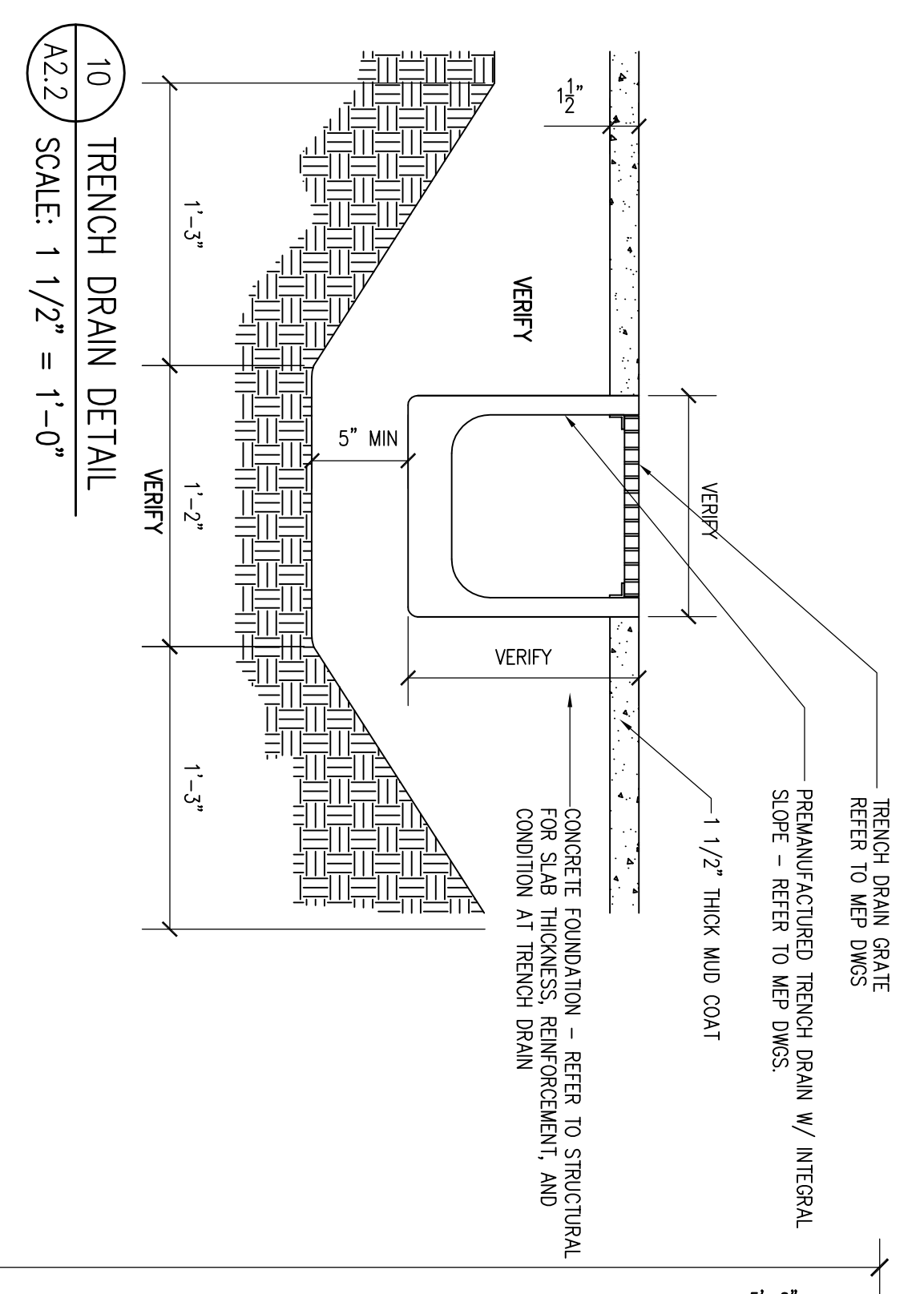
7 SOLE PLATE DETAIL @ PERIMETER WALL @ RECESSED SLAB
 A2.2 SCALE: 3" = 1'-0"



8 CURB & SOLE PLATE DETAIL @ PERIMETER WALL @ RECESSED SLAB
 A2.2 SCALE: 3" = 1'-0"



9 CURB & SOLE PLATE DETAIL @ PERIMETER WALL @ RECESSED SLAB ALTERNATE NO. 1
 A2.2 SCALE: 3" = 1'-0"

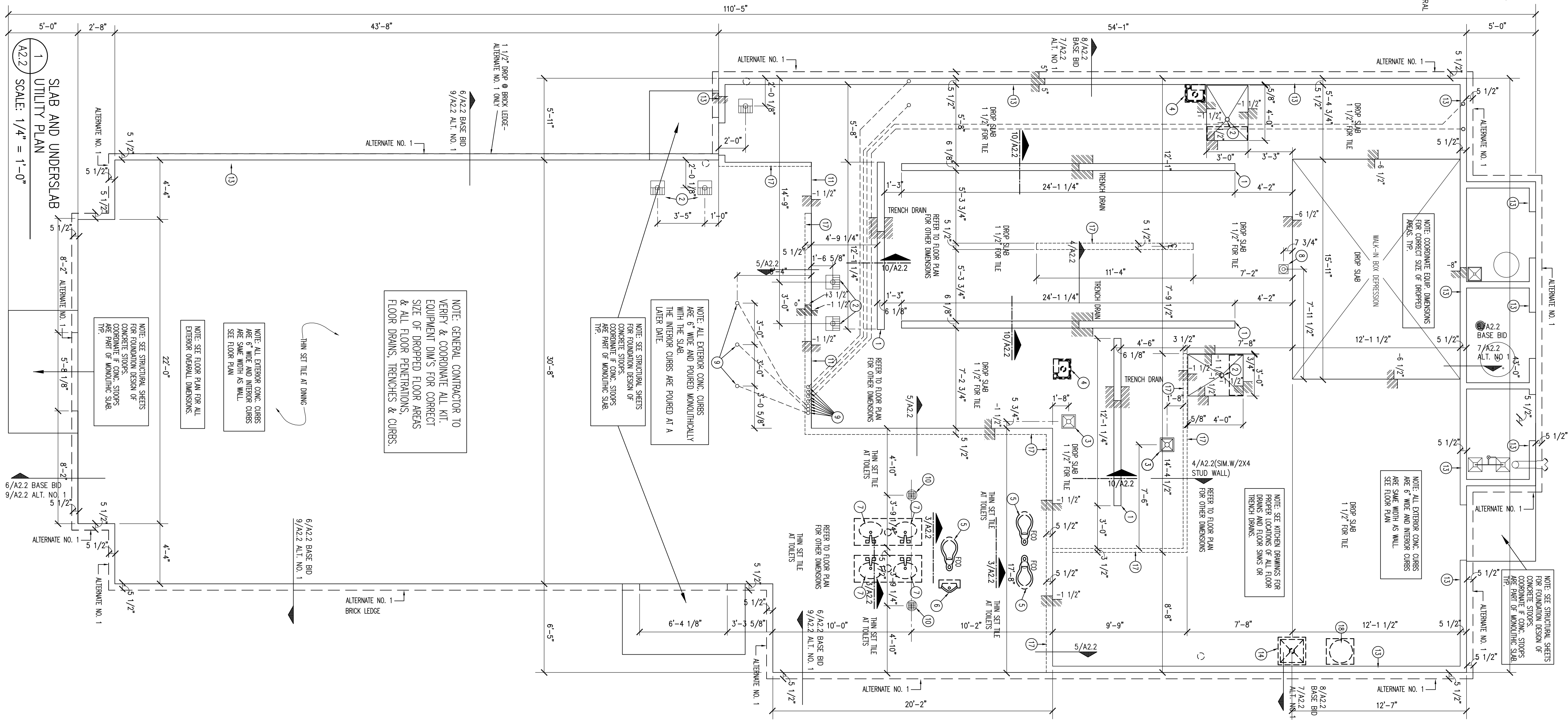


10 TRENCH DRAIN DETAIL
 A2.2 SCALE: 1 1/2" = 1'-0"

- KEYED NOTES: ○
- TRENCH DRAIN W/ NON-SLIP GRATE
 - HUB DRAIN
 - FLOOR SINK
 - HAND SINK
 - FLOOR MTD. TOILET
 - WALL HANG URINAL
 - LAVATORY FIXTURES
 - FUNNEL FLOOR DRAIN
 - 1" UNDERSLAB CONDUIT FOR NETWORK CABLING
 - FLOOR DRAIN W/ ROUND GRATE
 - EDGE OF MUDSET SLAB DEPRESSION
 - FIRE SPRINKLER SYSTEM RISER
 - CONCRETE CURB - MONOLITHIC W/ FOUNDATION
 - JANITOR/MOP SINK
 - FLOOR TRENCH DRAIN W/ GRATE
 - EDGE OF ICE MACHINE SLAB DEPRESSION
 - SURFACE APPLIED CONCRETE CURB
 - WATER HEATER

NOTE:
 CONTRACTOR TO COORDINATE WITH OWNER IF ANY REVISIONS TO THIS DRAWING ARE REQUIRED. ALL REVISIONS TO BE MADE BY THE ARCHITECT. THE ARCHITECT'S RESPONSIBILITY IS TO VERIFY THE ACCURACY OF THE INFORMATION PROVIDED BY THE OWNER. THE ARCHITECT IS NOT RESPONSIBLE FOR THE ACCURACY OF THE INFORMATION PROVIDED BY THE OWNER. THE ARCHITECT IS NOT RESPONSIBLE FOR THE ACCURACY OF THE INFORMATION PROVIDED BY THE OWNER.

NOTE:
 POUR PERIMETER CONCRETE CURBS FOUR INCHES ABOVE FINISH FLOOR SLAB. POUR INTERIOR CONCRETE CURBS AT A LATER DATE. TYP.



1 SLAB AND UNDERSLAB UTILITY PLAN
 A2.2 SCALE: 1/4" = 1'-0"

NOTE: GENERAL CONTRACTOR TO VERIFY & COORDINATE ALL KIT EQUIPMENT DIMS FOR CORRECT SIZE OF DROPPED FLOOR DEPRESSIONS, TRENCHES & CURBS.

NOTE: ALL EXTERIOR CONC. CURBS ARE 6" WIDE AND FINISHED MONOLITHICALLY WITH THE INTERIOR CURBS. ARE FINISHED AT A LATER DATE.

NOTE: SEE STRUCTURAL SHEETS FOR CONCRETE STOPS TO BE COORDINATED WITH THE ARCHITECT FOR MONOLITHIC SLAB.

NOTE: SEE RICHIE DRAWINGS FOR PROPER LOCATION OF ALL FLOOR TRENCH DRAINS.

NOTE: ALL EXTERIOR CONC. CURBS ARE 6" WIDE AND FINISHED MONOLITHICALLY WITH THE INTERIOR CURBS. ARE FINISHED AT A LATER DATE.

NOTE: SEE STRUCTURAL SHEETS FOR FOUNDATION DESIGN OF CONCRETE STOPS. CURBS ARE FINISHED AT A LATER DATE.