

12 GATE HINGE DETAIL
 SCALE: 3" = 1'-0"

11 GATE JAMB SECTION
 SCALE: 3" = 1'-0"

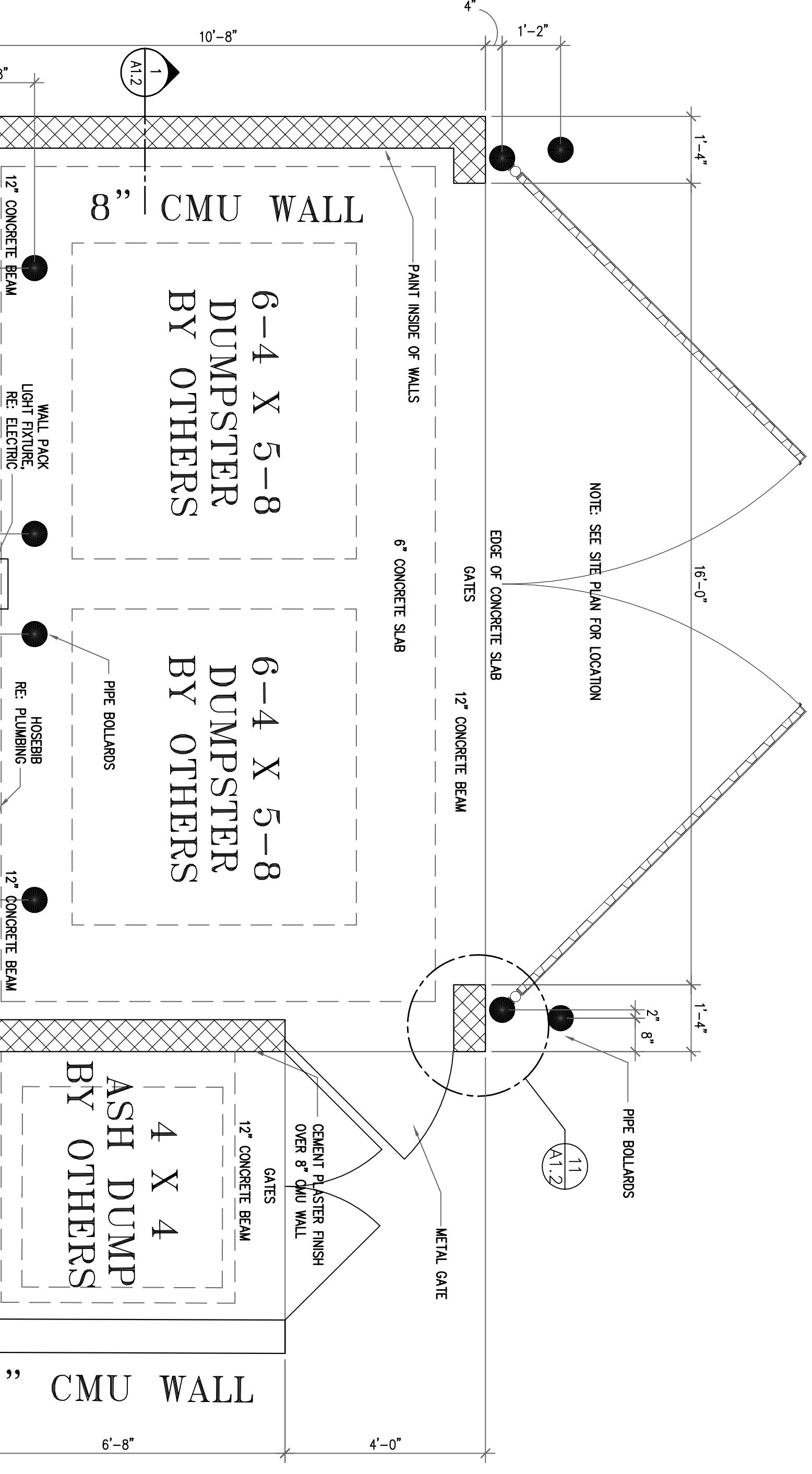
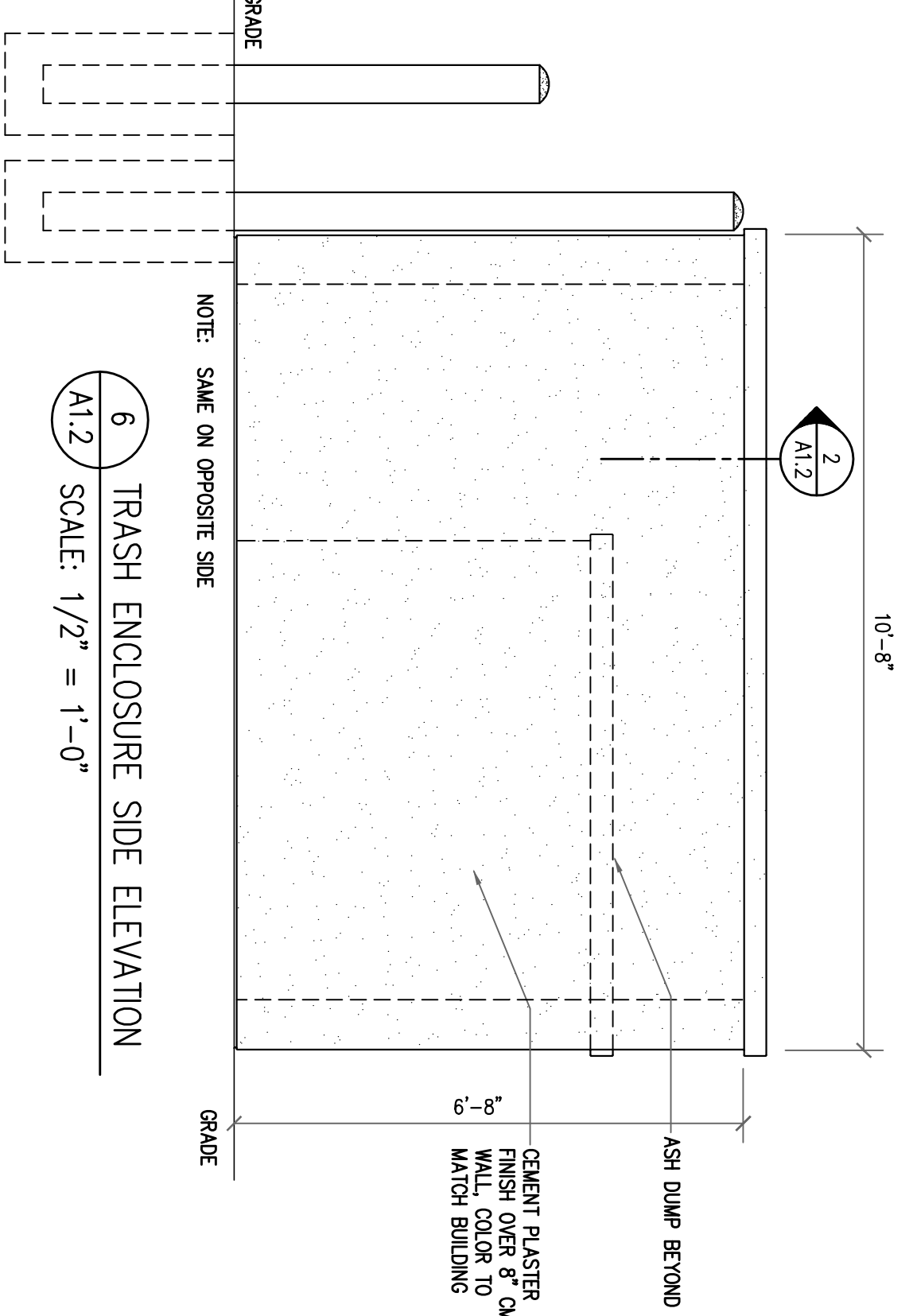
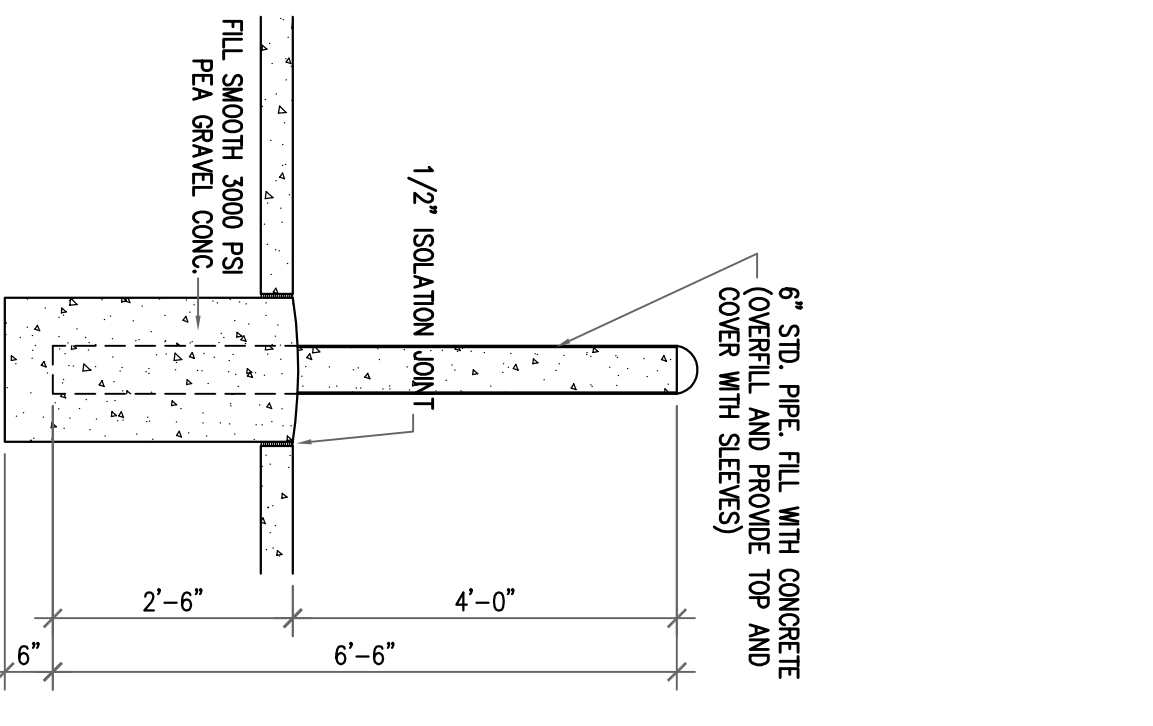
10 BAR LATCH DETAIL
 SCALE: 3" = 1'-0"

9 BAR LATCH DETAIL
 SCALE: 3" = 1'-0"

8 DROP LATCH DETAIL
 SCALE: 3" = 1'-0"

NOTE:
 SEE CIVIL ENGINEER'S SITE PLAN DRAWING FOR ALL SITE ACCESSIBLE ROUTE, PARKING, CURB RAMPS AND BUILDING ENTRY POINTS ARE IN COMPLIANCE WITH T.A.S.

NOTE:
 SEE SHEET T.AS.1 & T.AS.2 FOR ADA DETAILS AND HOOP STANDARDS FOR ADDITIONAL T.AS COMPLIANCE.



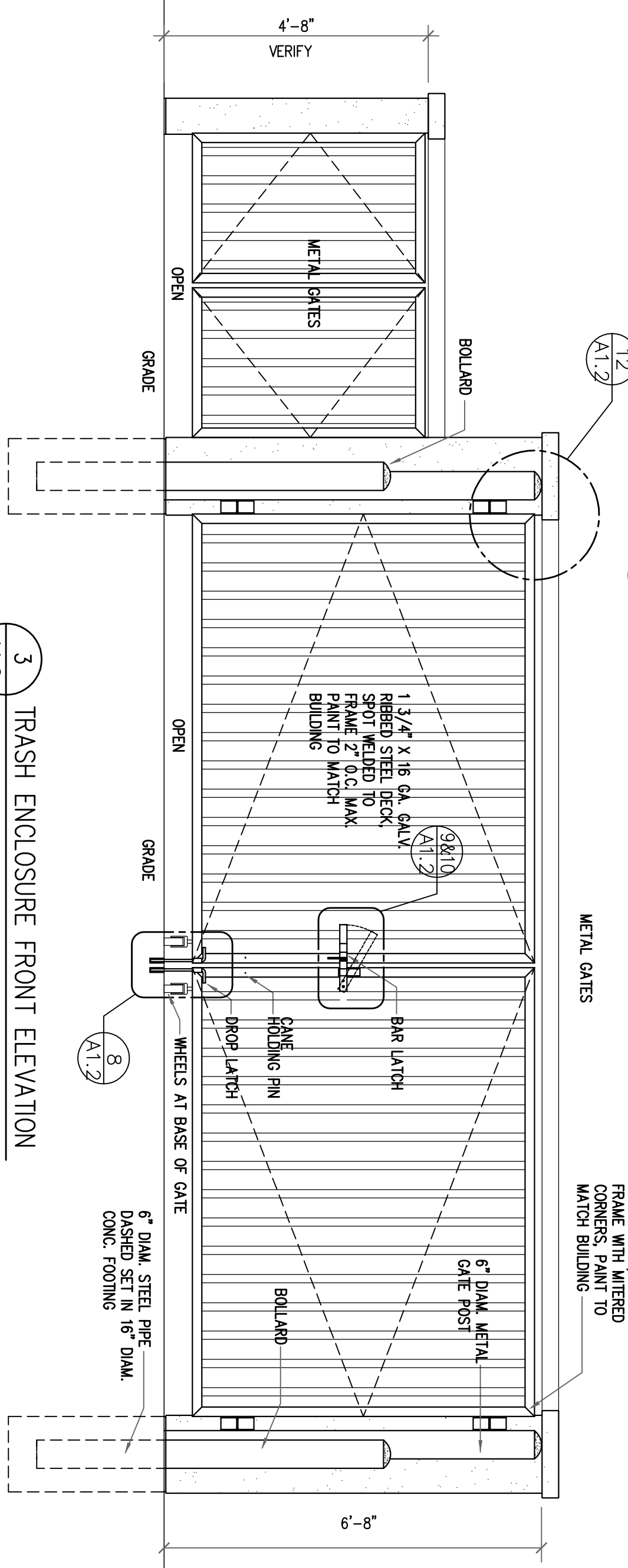
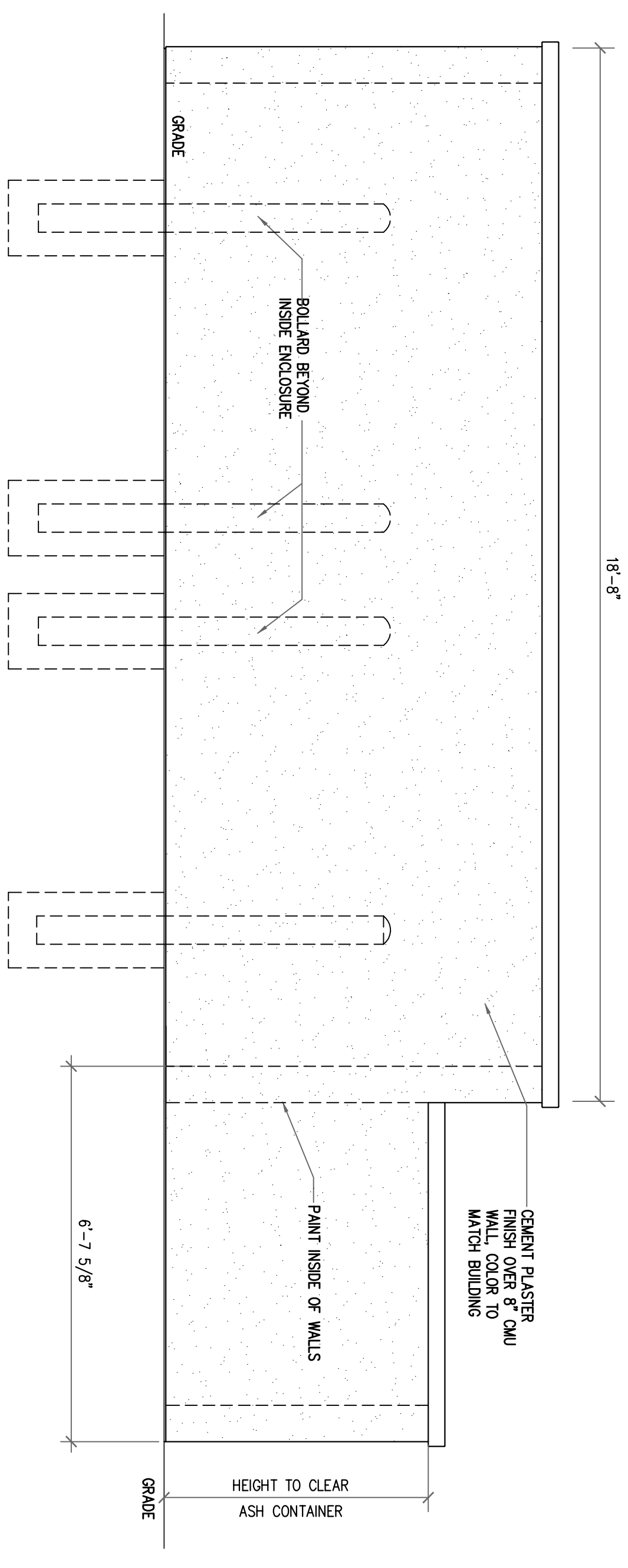
2 WALL HEAD DETAIL
 SCALE: 3" = 1'-0"

7 BOLLARD DETAIL
 SCALE: 1/2" = 1'-0"

6 TRASH ENCLOSURE SIDE ELEVATION
 SCALE: 1/2" = 1'-0"

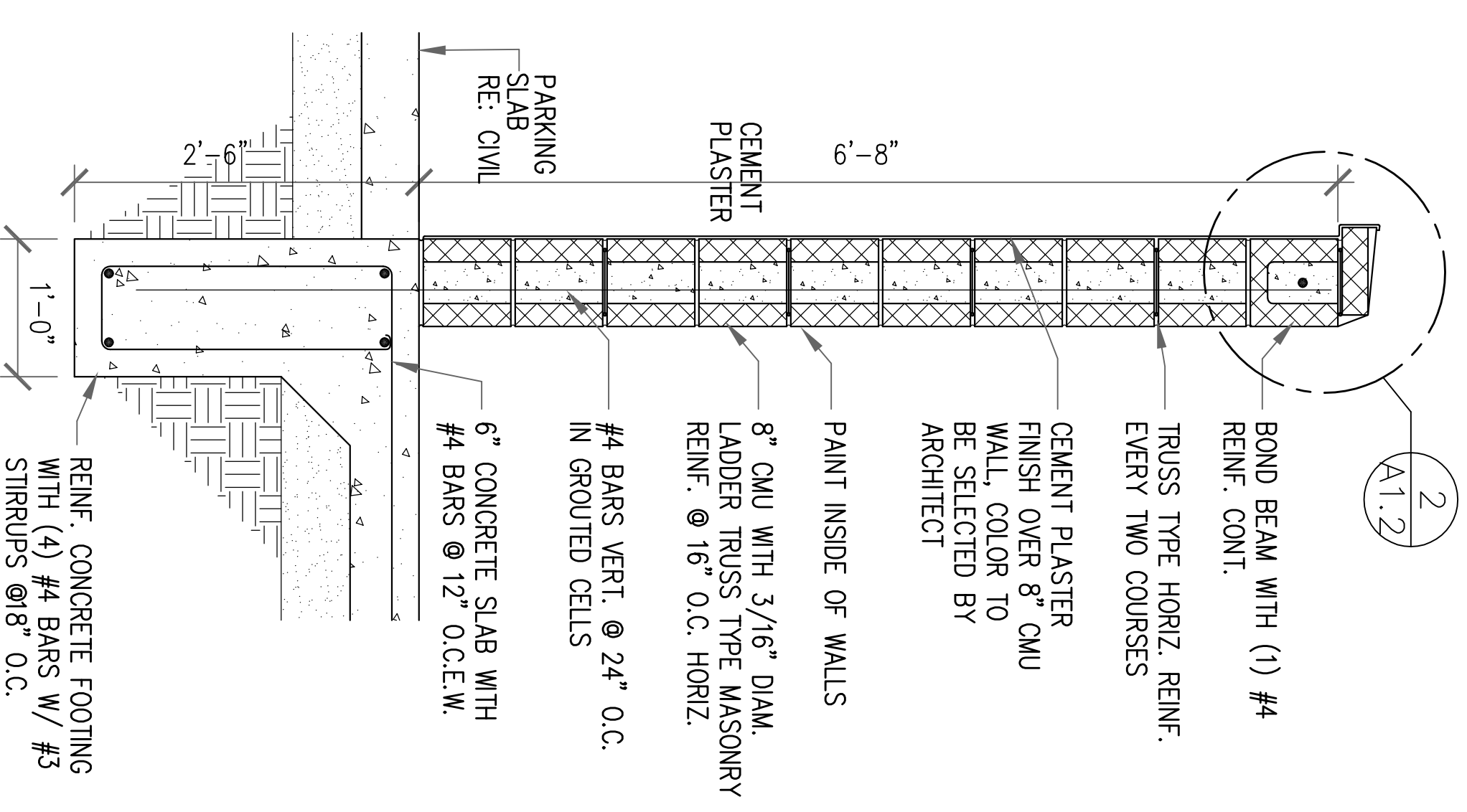
4 TRASH ENCLOSURE PLAN
 SCALE: 1/2" = 1'-0"

2 WALL HEAD DETAIL
 SCALE: 3" = 1'-0"



5 TRASH ENCLOSURE BACK ELEVATION
 SCALE: 1/2" = 1'-0"

3 TRASH ENCLOSURE FRONT ELEVATION
 SCALE: 1/2" = 1'-0"



1 WALL SECTION
 SCALE: 1" = 1'-0"