

4 WOMEN/TOILET ELEVATION
A1.1 SCALE: 1/2"=1'-0"

5 WOMEN/TOILET ELEVATION
A1.1 SCALE: 1/2"=1'-0"

6 JANITOR ELEVATION
A1.1 SCALE: 1/2"=1'-0"

7 JANITOR ELEVATION
A1.1 SCALE: 1/2"=1'-0"

8 MEN/TOILET ELEVATION
A1.1 SCALE: 1/2"=1'-0"

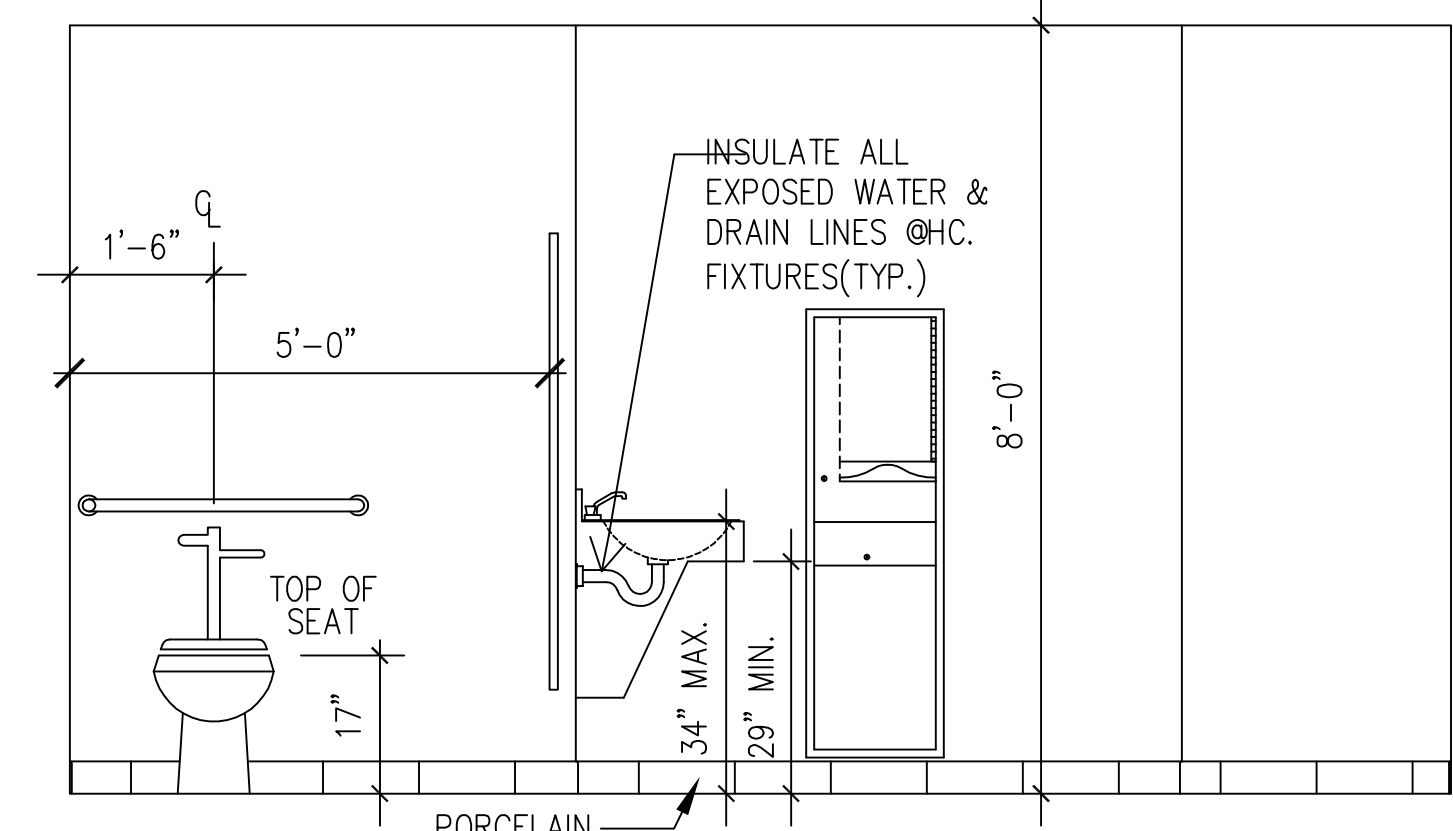
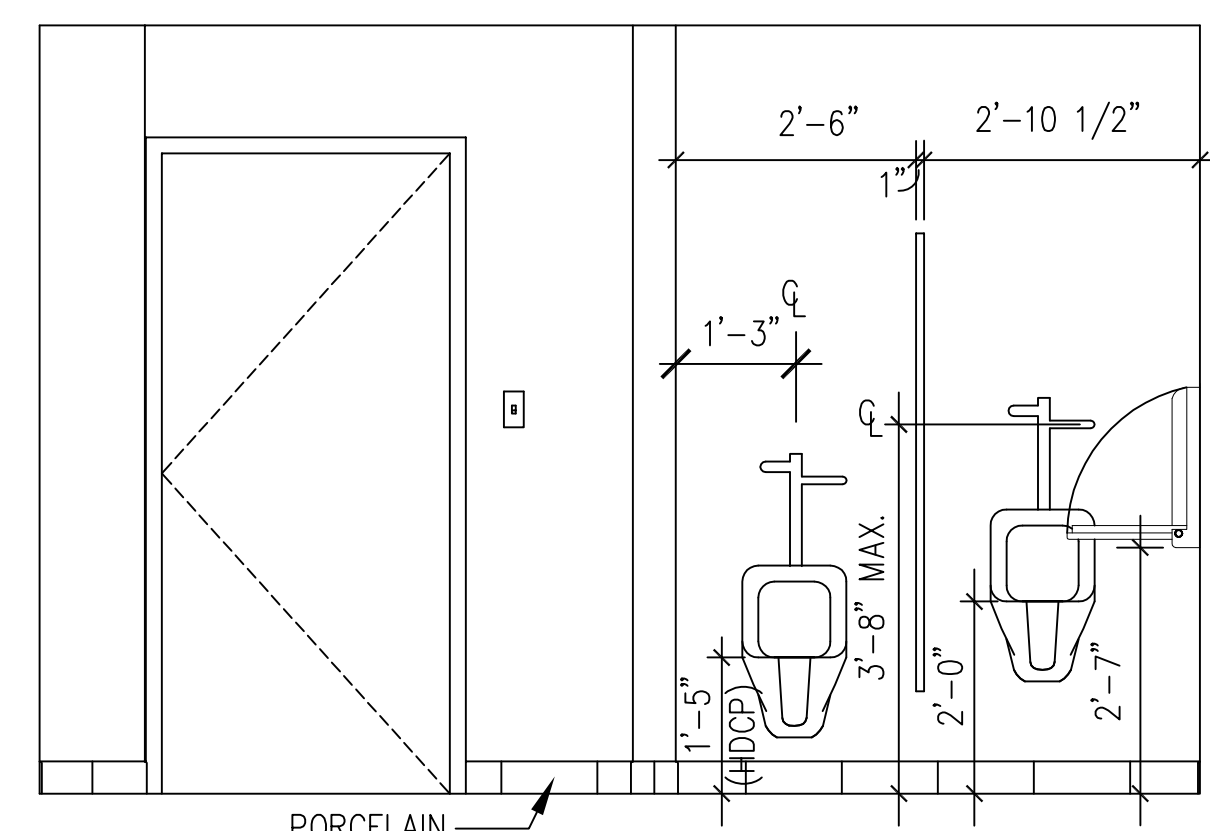
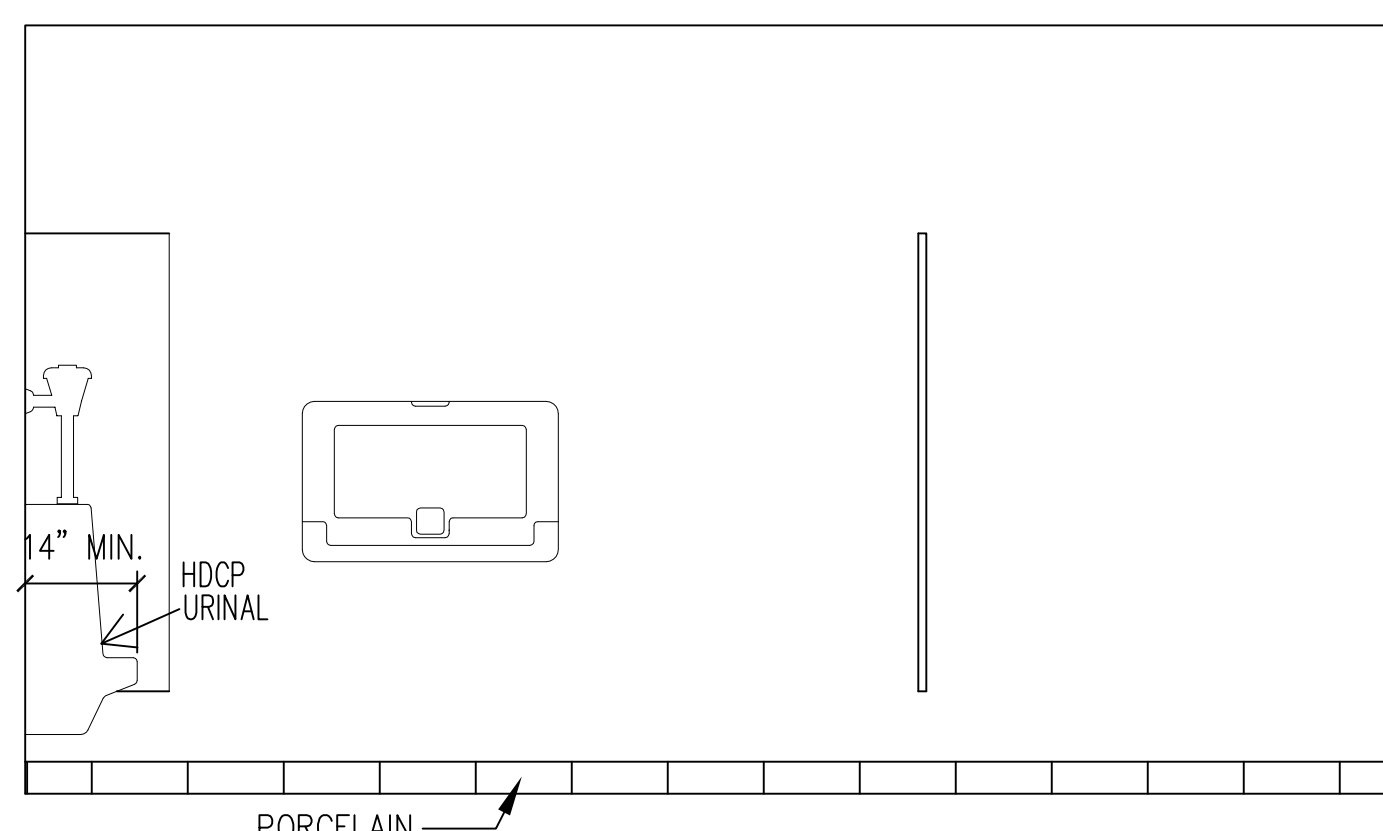
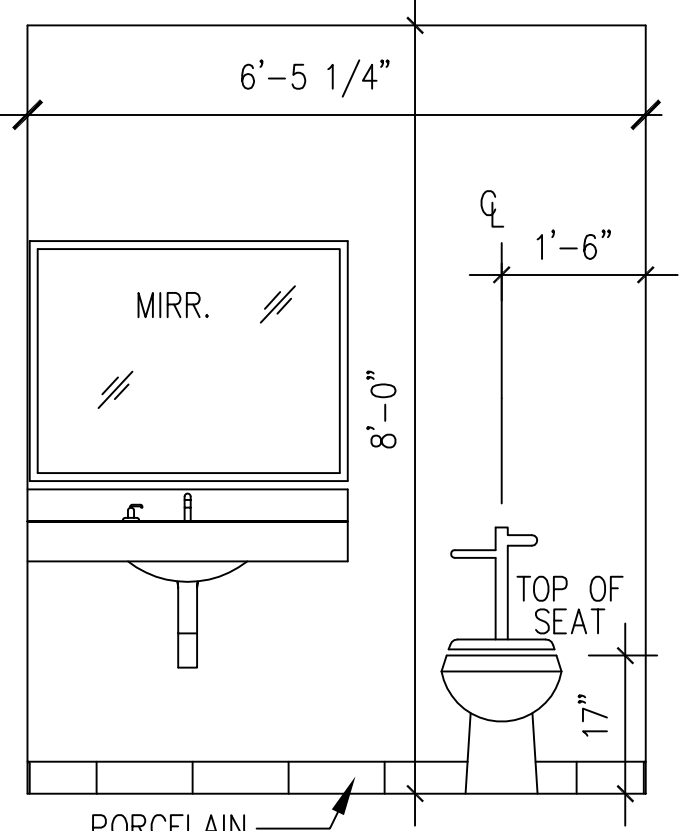
TOILET ACCESSORIES

- A BOBRICK GRAB BARS #B-5837 OR EQUAL
- B BOBRICK MIRROR #B-280 1836 OR EQUAL
- C BOBRICK MIRROR #B-290 7236 OR EQUAL
- D BOBRICK SURFACE MTL. SOAP DISP. #B-78807 OR EQUAL
- E BOBRICK RECESSED PAPER TOWEL DISP./WASTE RECP. #B-369 OR EQUAL
- F BOBRICK SURFACE MOUNTED TOILET TISSUE DISP. #B-685 OR EQUAL
- G BOBRICK UTILITY SHELF W/ MOP/BROOM HOLDERS AND RAG HOOKS #B224 X 30 OR EQUAL
- H BOBRICK UTILITY SHELF W/ MOP/BROOM HOLDERS AND RAG HOOKS #B224 X 36 OR EQUAL

MOUNTING HEIGHTS

WALL MOUNTED MIRROR:	40" TO BOTTOM OF REFLECTIVE SURFACE
HAND DRYER	40" A.F.F.
TOILET PAPER DISP	19" A.F.F.
GRAB BARS	36" A.F.F.
RM OF LAVATORY	34" A.F.F.
TOILET SEAT	17" TO 19" A.F.F.
SOAP DISP.	42 3/4" A.F.F.

* DENOTES TO BOTTOM OF HIGHEST OPERATABLE PART



11 STAFF TOILET ELEVATION
A1.1 SCALE: 1/2"=1'-0"

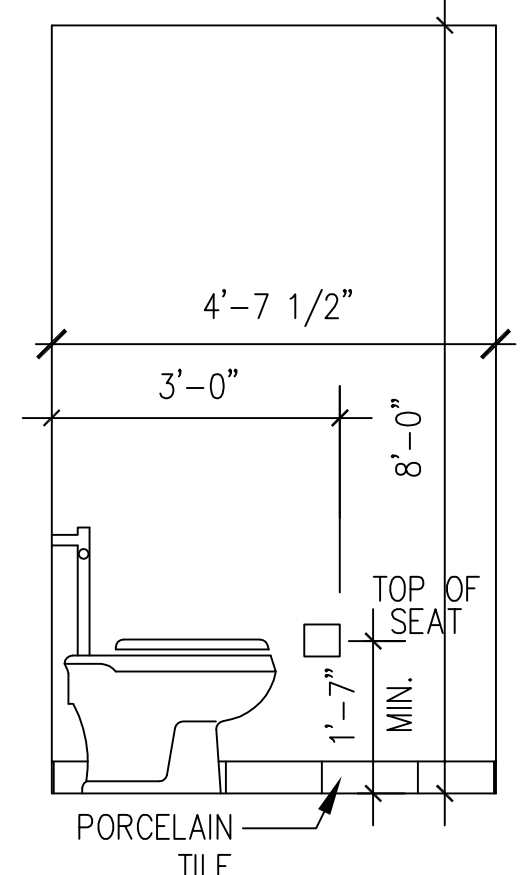
12 MEN/TOILET ELEVATION
A1.1 SCALE: 1/2"=1'-0"

13 MEN/TOILET ELEVATION
A1.1 SCALE: 1/2"=1'-0"

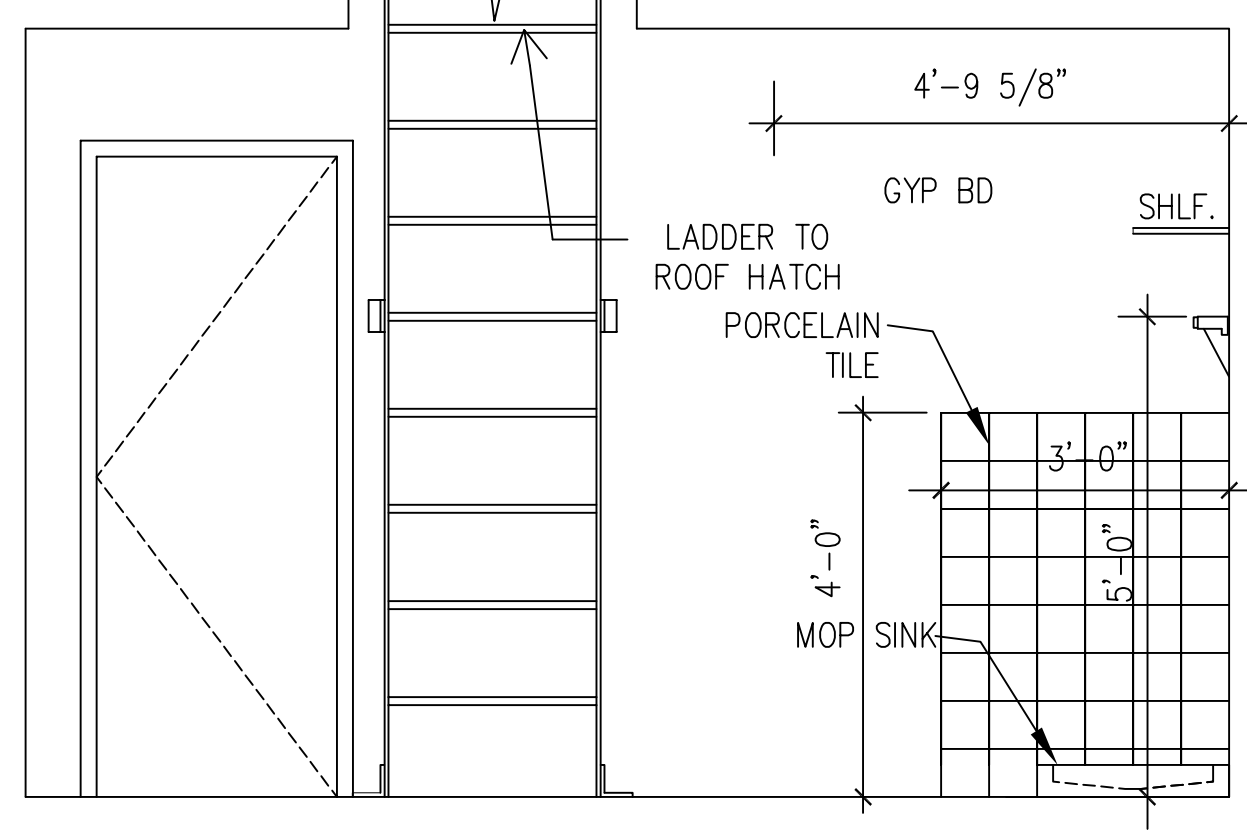
14 MEN/TOILET ELEVATION
A1.1 SCALE: 1/2"=1'-0"

GENERAL WORK NOTES:

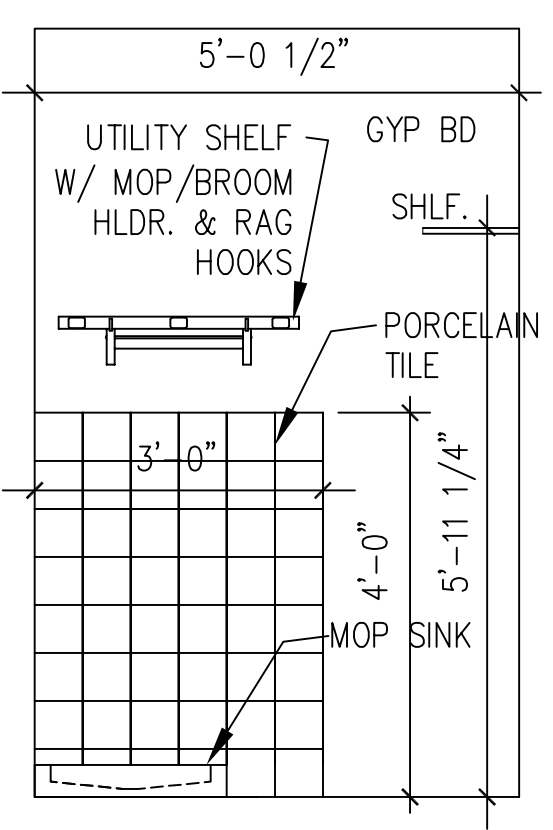
- SEE SHEET A6.0 FOR INTERIOR WALL PARTITION TYPES.
- DIMENSIONS OF INTERIOR PARTITIONS ARE TO FACE OF BLOCK OR METAL STUD.
- REFER TO SHEET A2.0 FOR ROOM FINISH SCHEDULE & CEILING HEIGHTS.
- REFER TO MECH. SHEET FOR WATER HEATER ABOVE JAN. MOP SINK.
- REFER TO INTERIOR ELEVATIONS FOR CABINET MILLWORK.
- REFER TO SITE PLAN SHEET C1.0 FOR SIDEWALK SIZE & LOCATIONS.
- REFER TO SHEET G1.1 FOR ADA/TAS MOUNTING HEIGHTS.
- REFER TO CIVIL SHEET C2.1 FOR BUILDING ELECTRICAL SERVICE.



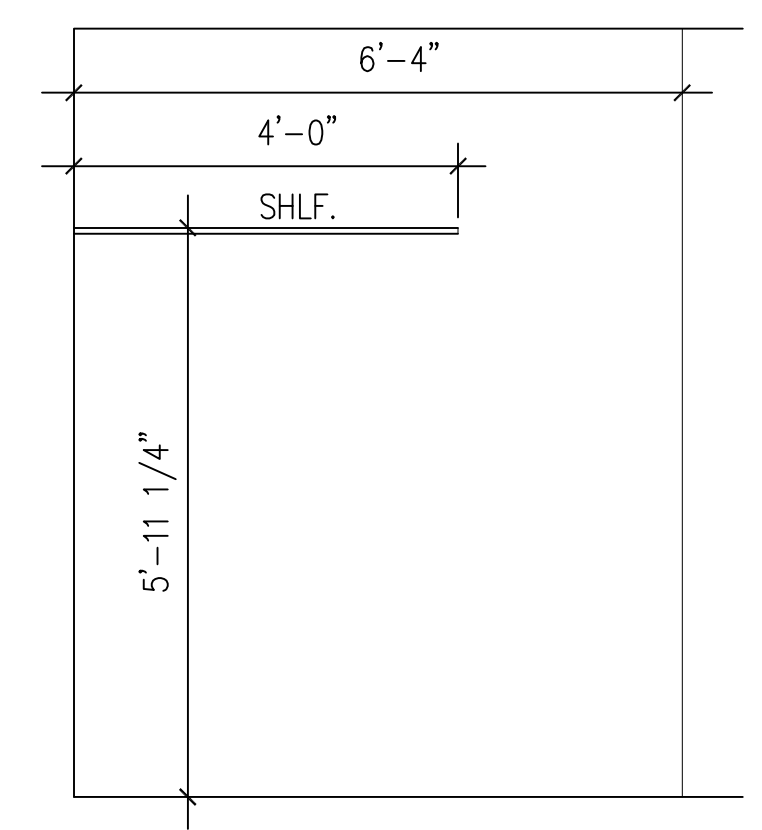
15 STAFF TOILET ELEVATION
A1.1 SCALE: 1/2"=1'-0"



16 JAN. SINK @ KIT.
A1.1 SCALE: 1/2"=1'-0"



17 JAN. SINK @ KIT.
A1.1 SCALE: 1/2"=1'-0"



18 JAN. SINK @ KIT.
A1.1 SCALE: 1/2"=1'-0"

DAILEY & SPEAR
ARCHITECTS, PLLC

CORPUS CHRISTI OFFICE:
225 S. CARANCAHIA STREET
CORPUS CHRISTI, TEXAS 78401
(361)883-5588 (361)883-9204 FAX
office@msa-architect.com

SAN ANTONIO OFFICE:
25661 US HIGHWAY 281 N
SAN ANTONIO, TEXAS 78258
(830)980-7006 (830)438-7455 FAX
lmdarch@qvc.com

FRONTIER SEAFOOD

FOR
FRONTIER ENTERPRISES
CULEBRA AND LOOP 1604 • SAN ANTONIO, TEXAS

COPYRIGHT 2011 ANY
REPRODUCTION, POSSESSION, OR
USE OF THESE PLANS OR ANY
PART THEREOF WITHOUT THE
WRITTEN PERMISSION OF DAILEY
& SPEAR ARCHITECTS, PLLC IS
PROHIBITED & WILL BE
PROSECUTED TO THE FULL
EXTENT OF THE LAW.

REVISION	DATE	BY

DATE:
FEBRUARY 2011

PROJECT NO.
80813R

DRAWING TITLE
**ENLARGED TOILET PLANS
AND
INTERIOR ELEVATIONS**

DRAWING NUMBER:
A1.1

Sheet ___ of ___

W:\Projects\80813R - Burger Place\Power R. Pl. 1-21-11\A1.1 - Enlarged Toilet Plans
 MTD: TBAZ (2/21/11) (Enlarged Burger Place/Construction Documents) (RCA)